

Aries Handle

Preliminary Concepts

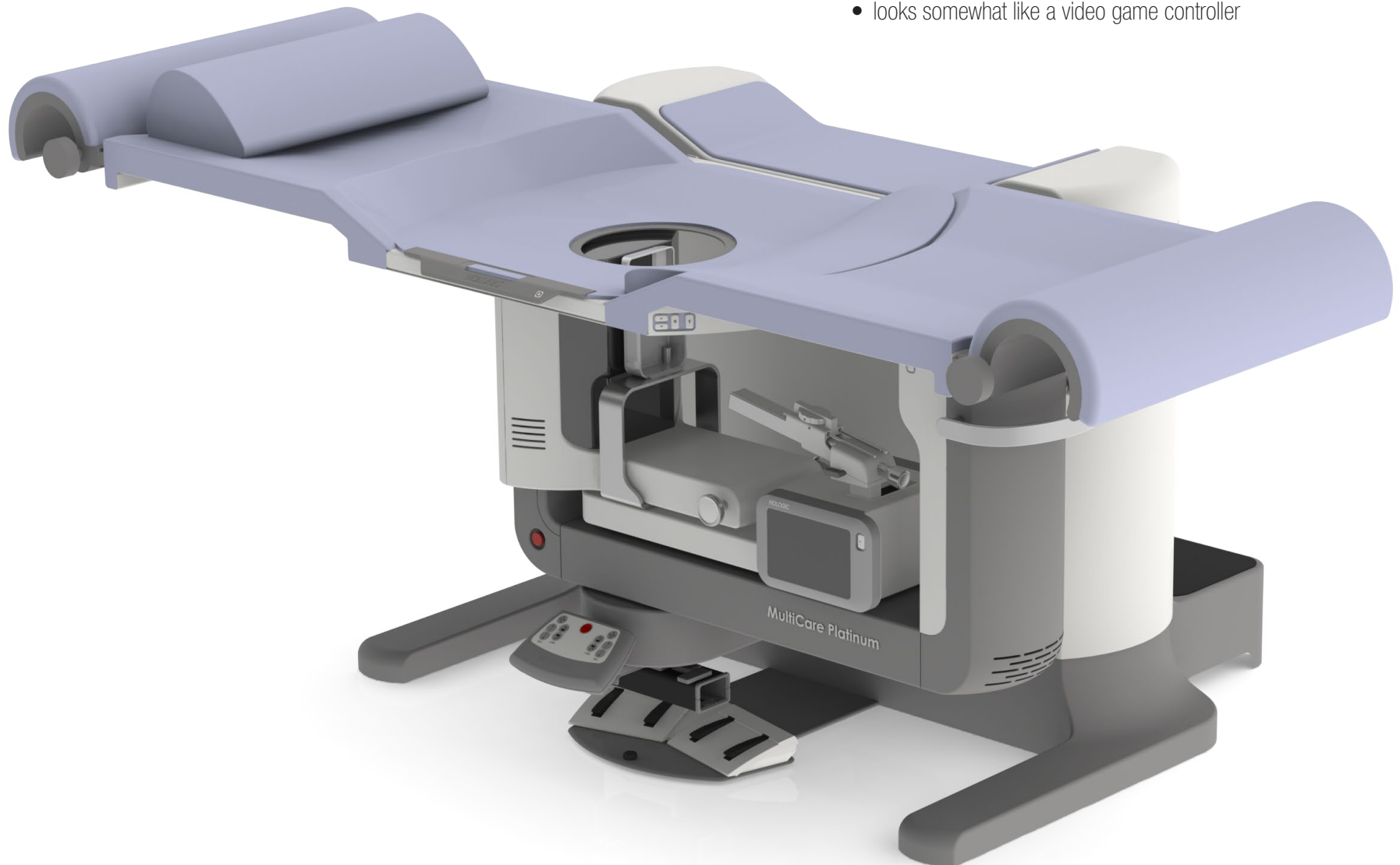
Concept 1

Pros

- two injection molded parts, therefore inexpensive and simple
- ergonomically correct for virtually all users
- easily cleanable
- can accommodate a trigger switch underneath for extra functionality

Cons

- looks somewhat like a video game controller



Concept 1

MultiCare



Concept 1



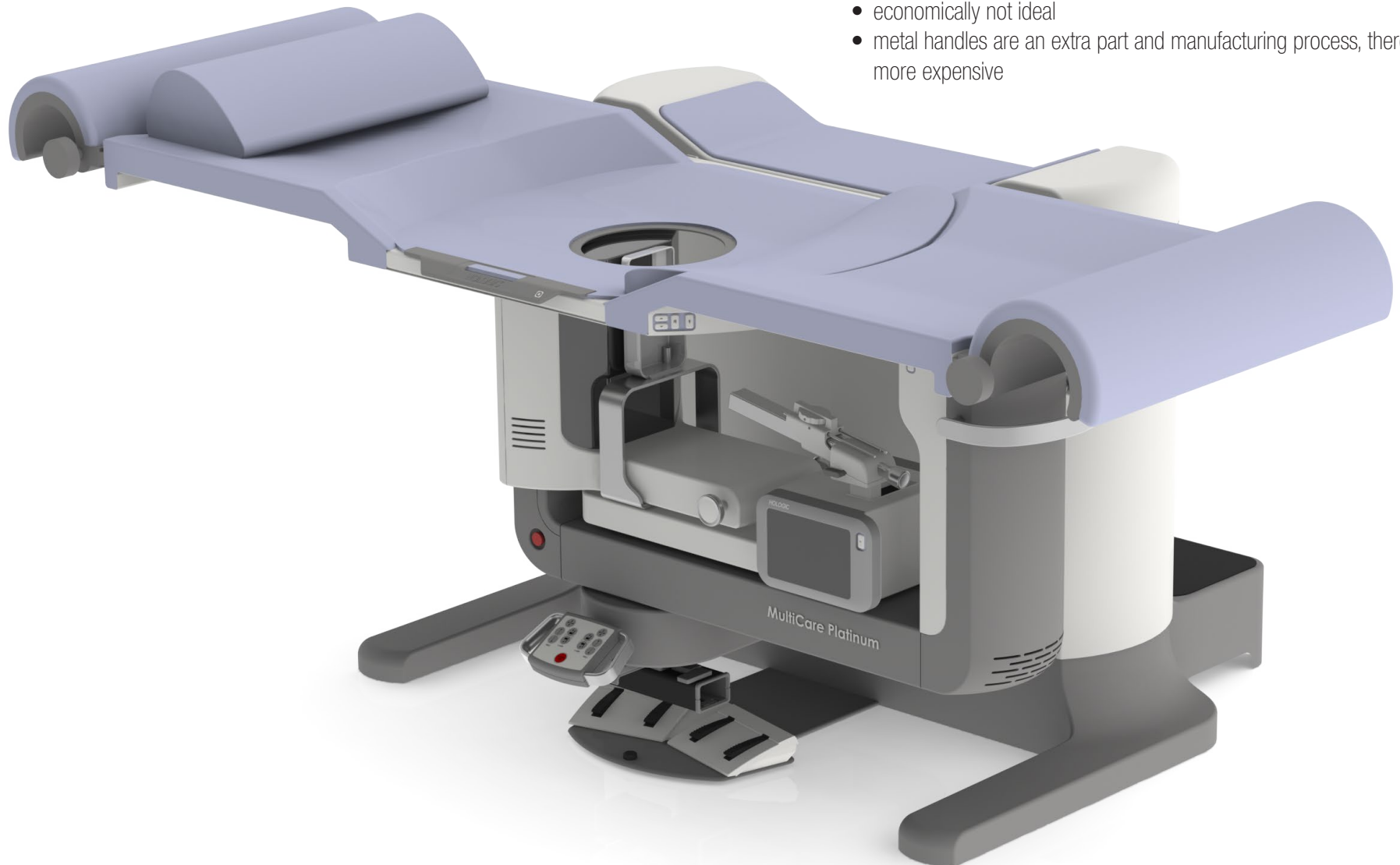
Concept 2

Pros

- looks like handle/control pad on current product
- ergonomically similar to current product
- uses similar metal handle element from Farm bed concept

Cons

- looks like handle/control pad on current product
- economically not ideal
- metal handles are an extra part and manufacturing process, therefore more expensive



Concept 2

MultiCare



Concept 2



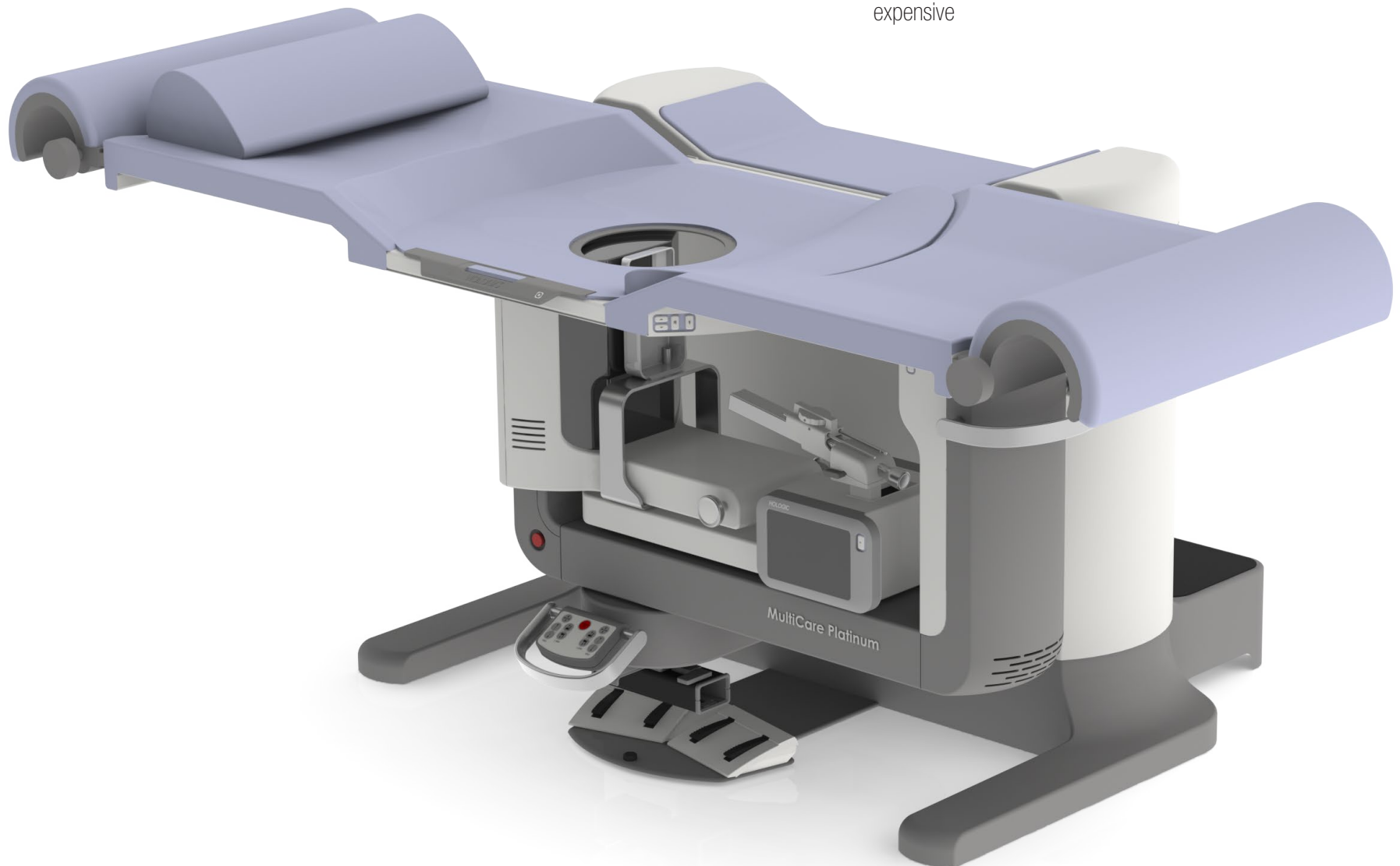
Concept 3

Pros

- uses very similar metal handle element from Farm bed concept
- offers largest grip area of the concepts shown

Cons

- economically untested, likely least comfortable
- metal handle is an extra part and manufacturing process, therefore more expensive



Concept 3

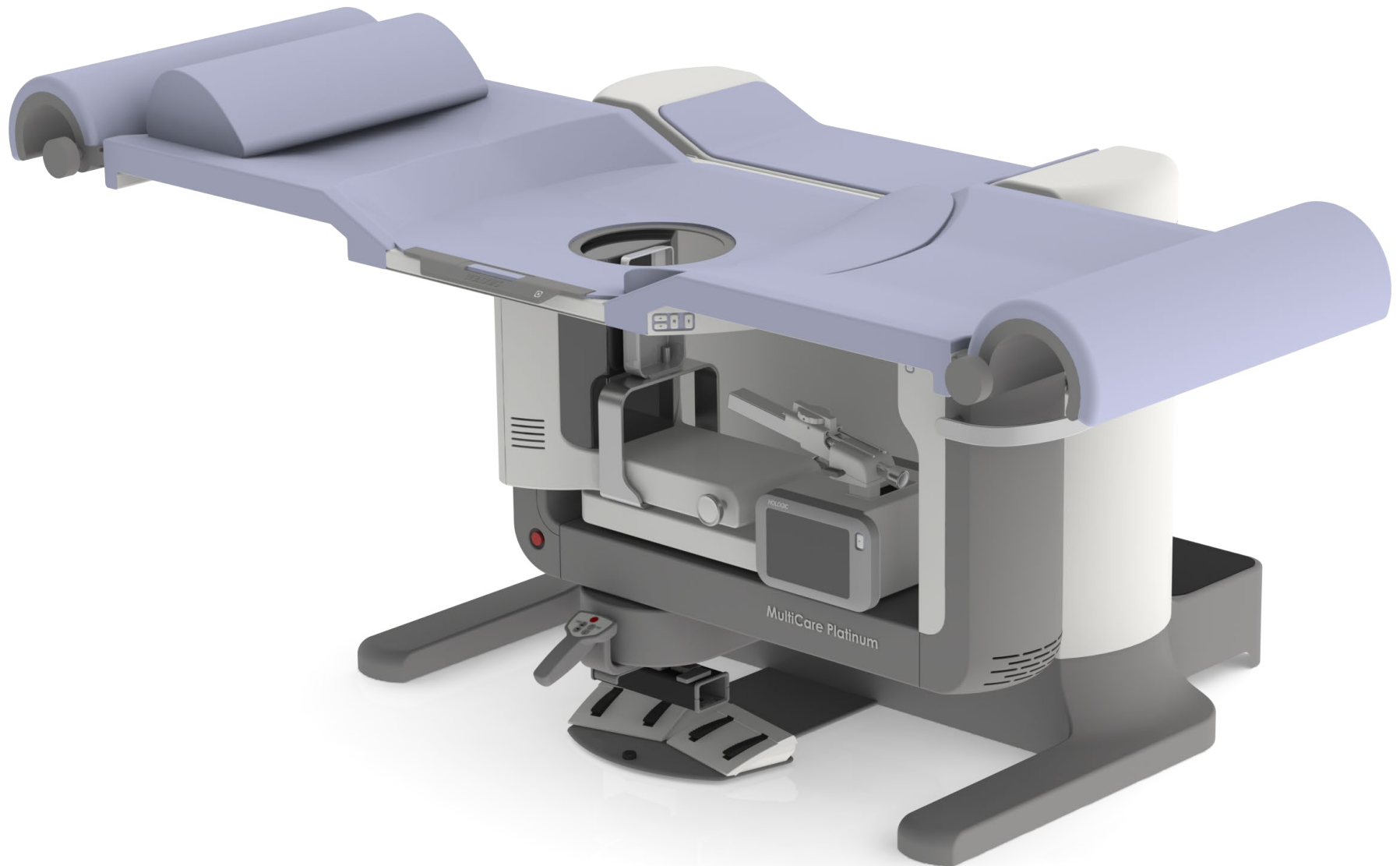
MultiCare



Concept 3



Concept 4

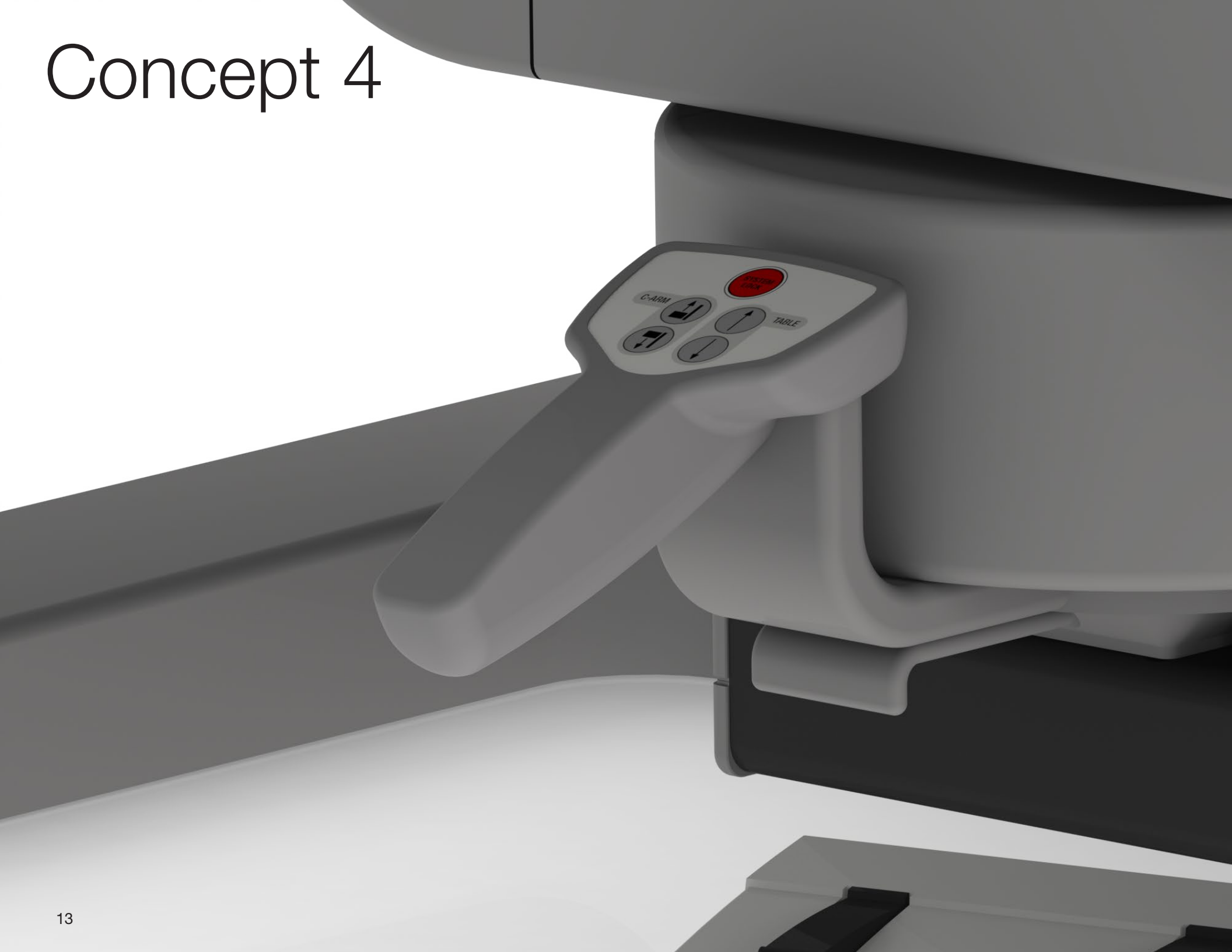


Concept 4

MultiCare



Concept 4



Notes

Comments

- All concepts use a membrane switch panel with dome switches/button
- Concepts 1, 2, and 3 show the same membrane panel graphics. The layout is ideally suited to Concept 1. In the other two concepts it mostly a placeholder. More development is needed.
- The position and function of buttons is based on assumptions and may not be ideal.
- The buttons graphics are essentially the same as the existing product, with a few minor changes for consistency. They could be made more intuitive

Recommendations

- Of these three I recommend Concept 1.
 - It's ergonomically superior to the other concepts.
 - It's simple and cost effective.
 - It can accommodate a trigger switch underneath for added functionality. (The trigger is not shown in this version.)