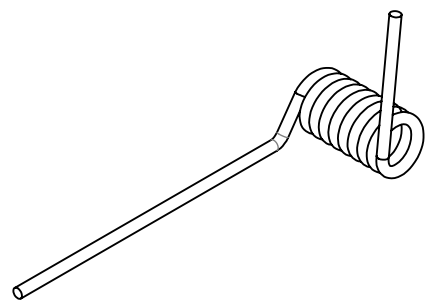
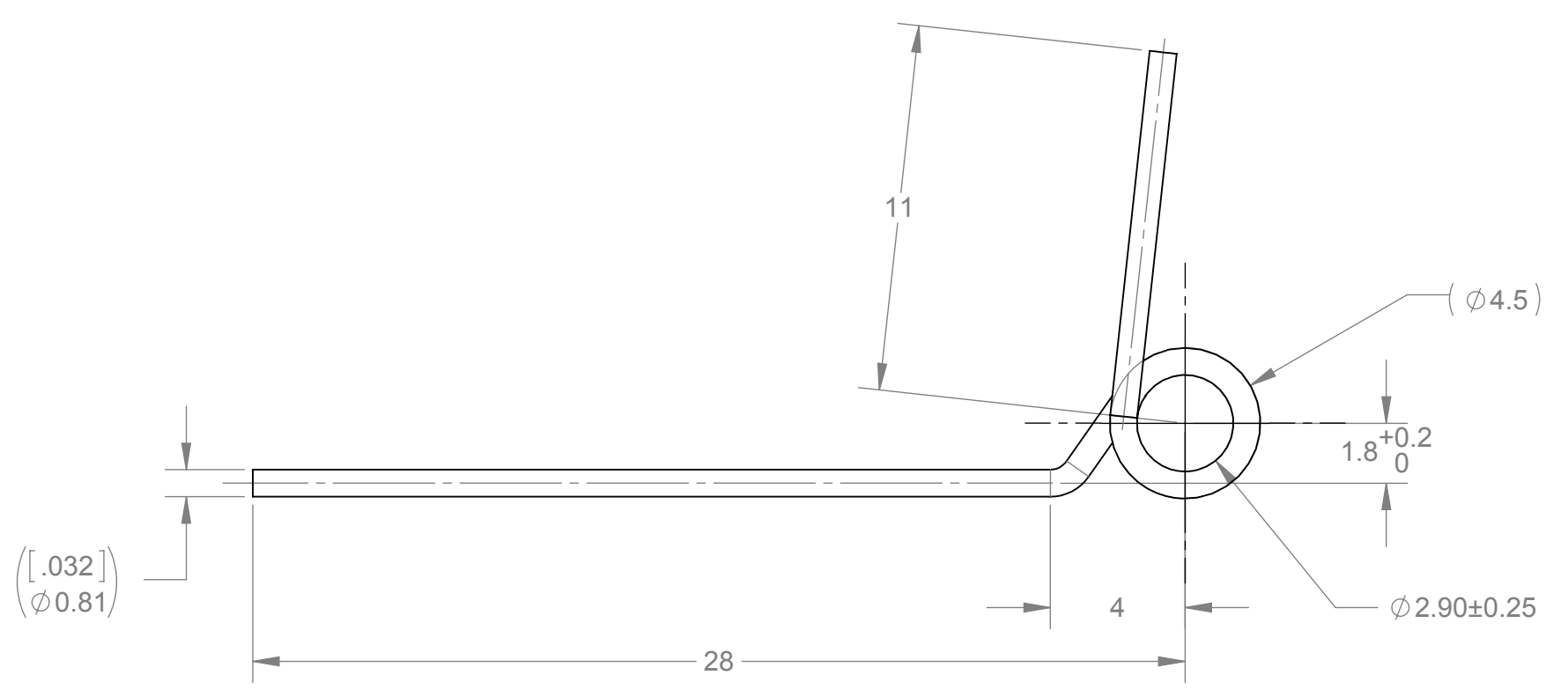
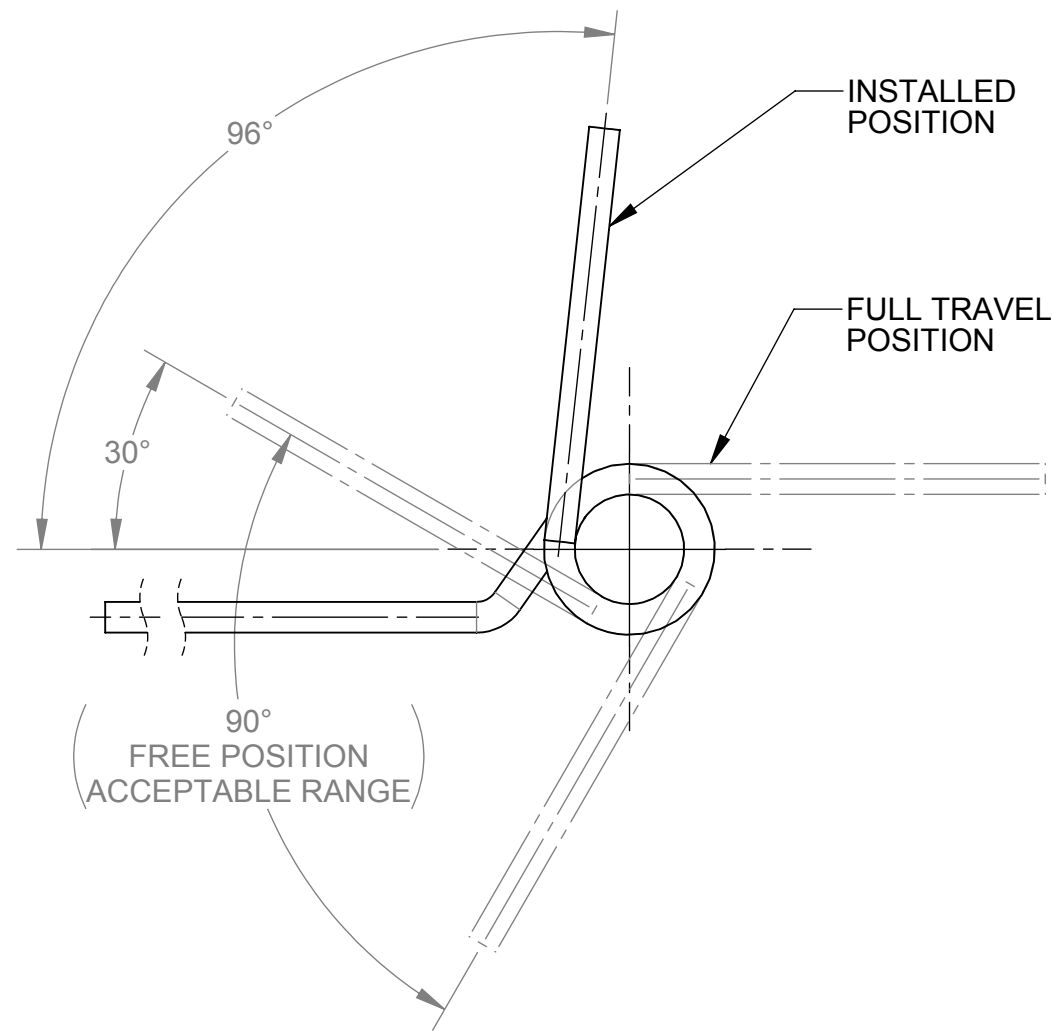
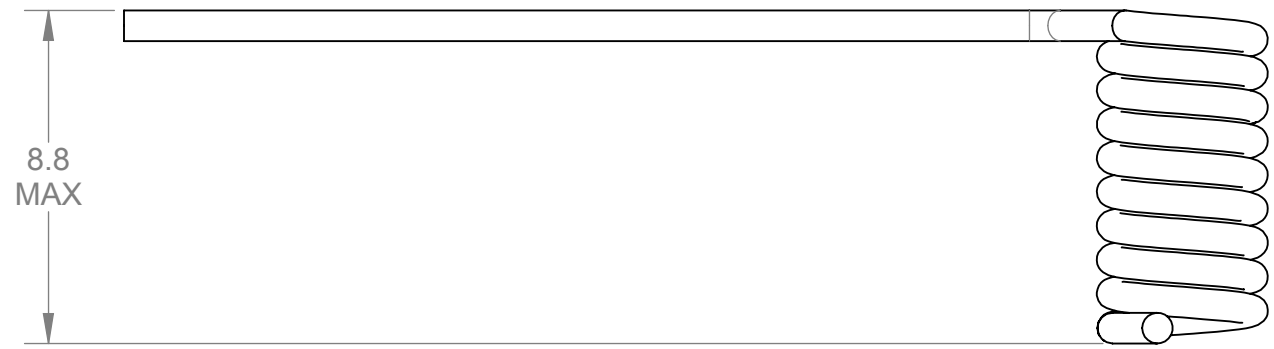


NOTES:
 1. MATERIAL: PHOSPHOR BRONZE WIRE, $\phi 0.81\text{mm}$ (0.032")



MATERIAL RESTRICTIONS: ALL PARTS AND ASSEMBLIES SUPPLIED TO THIS SPECIFICATION SHALL BE IN FULL COMPLIANCE WITH SMI-0564 - MATERIAL PROHIBITIONS AND RESTRICTIONS.			HOLOGIC SENTINELLE MEDICAL, A DIVISION OF HOLOGIC 555 RICHMOND STREET WEST TORONTO, ON M5V 3B1	
UNLESS OTHERWISE SPECIFIED DO NOT SCALE DRAWING INTERPRET IN ACCORDANCE WITH ASME Y14.5M-2009 DIMENSIONS ARE IN mm TOLERANCES APPLY AS SHOWN BELOW		THIS DOCUMENT CONTAINS PROPRIETARY DATA OF HOLOGIC INC. NO DISCLOSURE, REPRODUCTION, OR USE OF ANY PART THEREOF MAY BE MADE EXCEPT BY WRITTEN PERMISSION FROM HOLOGIC.		
0-10 ± 0.1 10-50 ± 0.2 50-100 ± 0.3 100-300 ± 0.4 300-1000 ± 0.5 ANGLES $\pm 5^\circ$ SURFACE ROUGHNESS 0.8 μm				
THIRD ANGLE PROJECTION 		DESCRIPTION SPRING RIGHT, MEDIAL CONNECTOR COVER		
ENGINEER: J. JANKOWSKI AUTHORED BY: J. JANKOWSKI DRAFTED BY: J. JANKOWSKI REVISION RELEASE DATE:		DATE: N/A 15AUG2014 15AUG2014 PART/ASSEMBLY NUMBER: FAB-12325		
SIZE: B SCALE: 5:1		DRAWING NUMBER: FAB-12325 REV: 001 MODEL FILE NAME: FAB-12325 - SPRING RIGHT MEDIAL CONNECTOR COVER		
		SHEET 1 OF 1		

CONFIDENTIAL