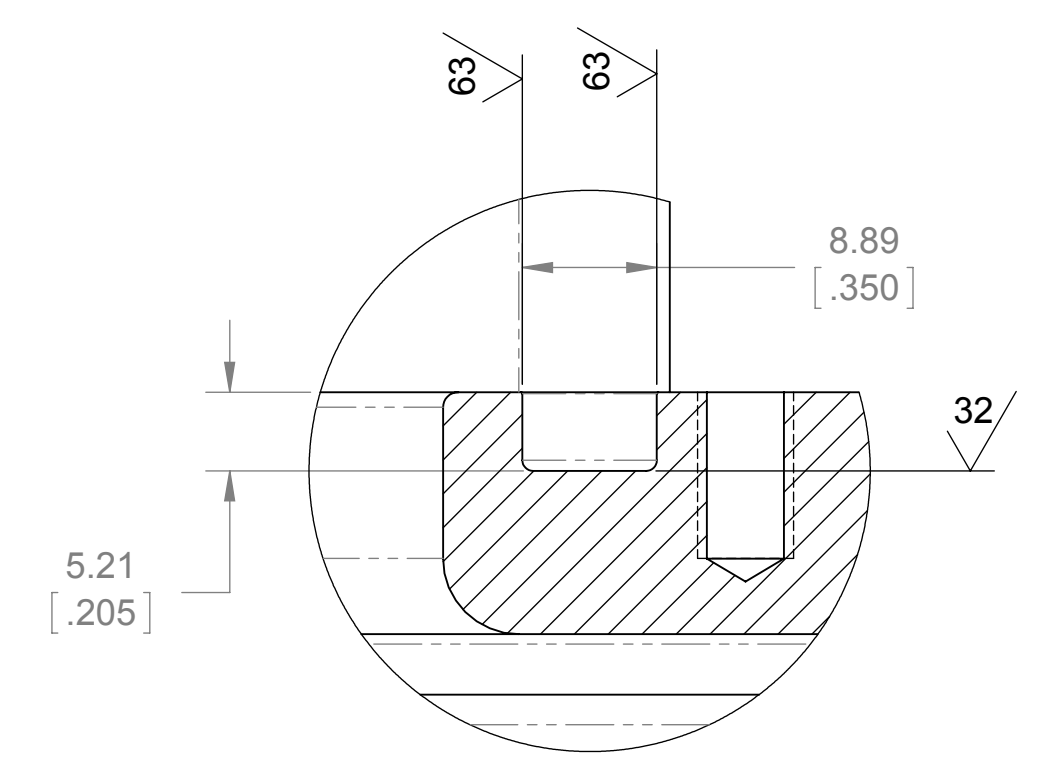
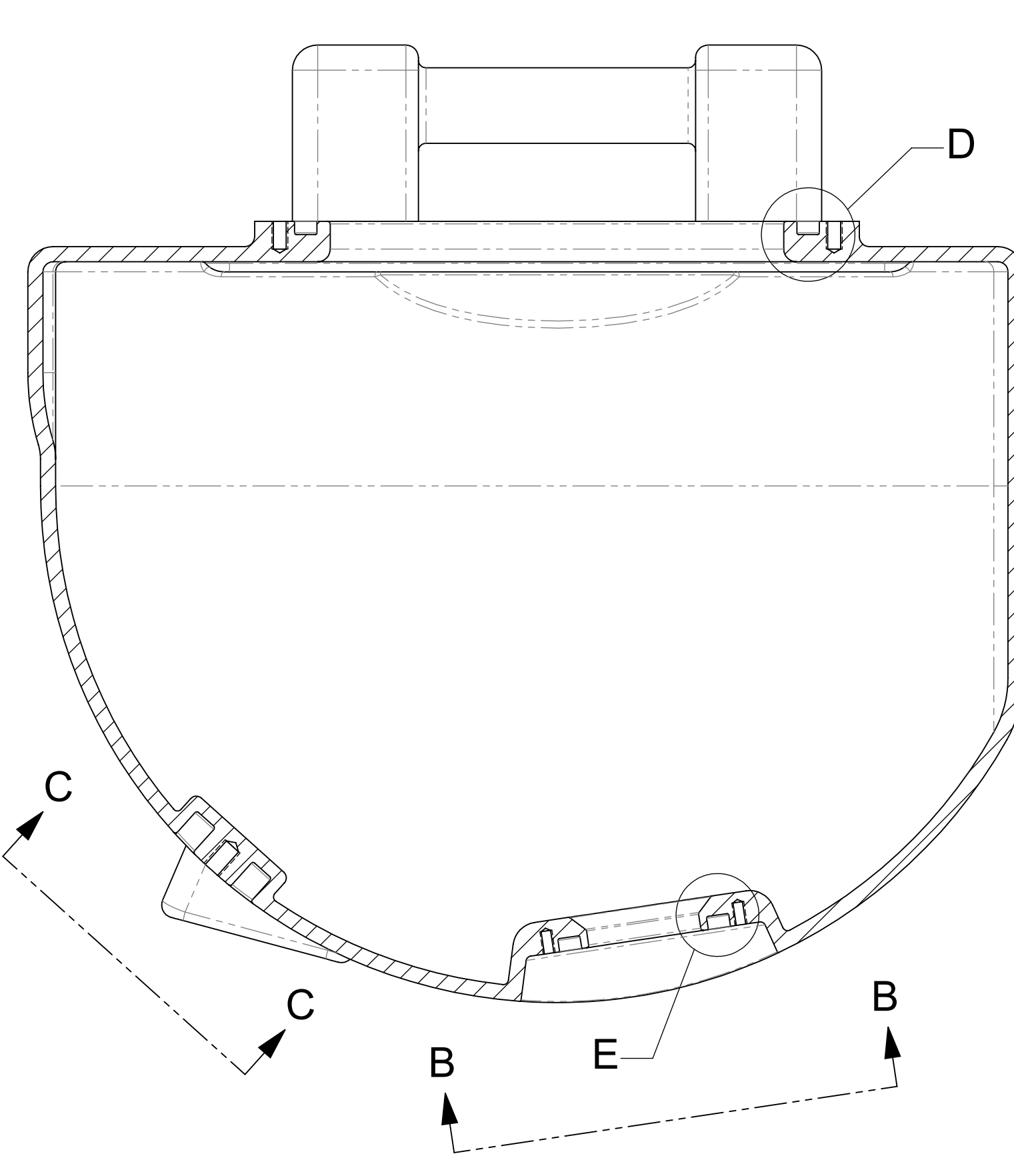
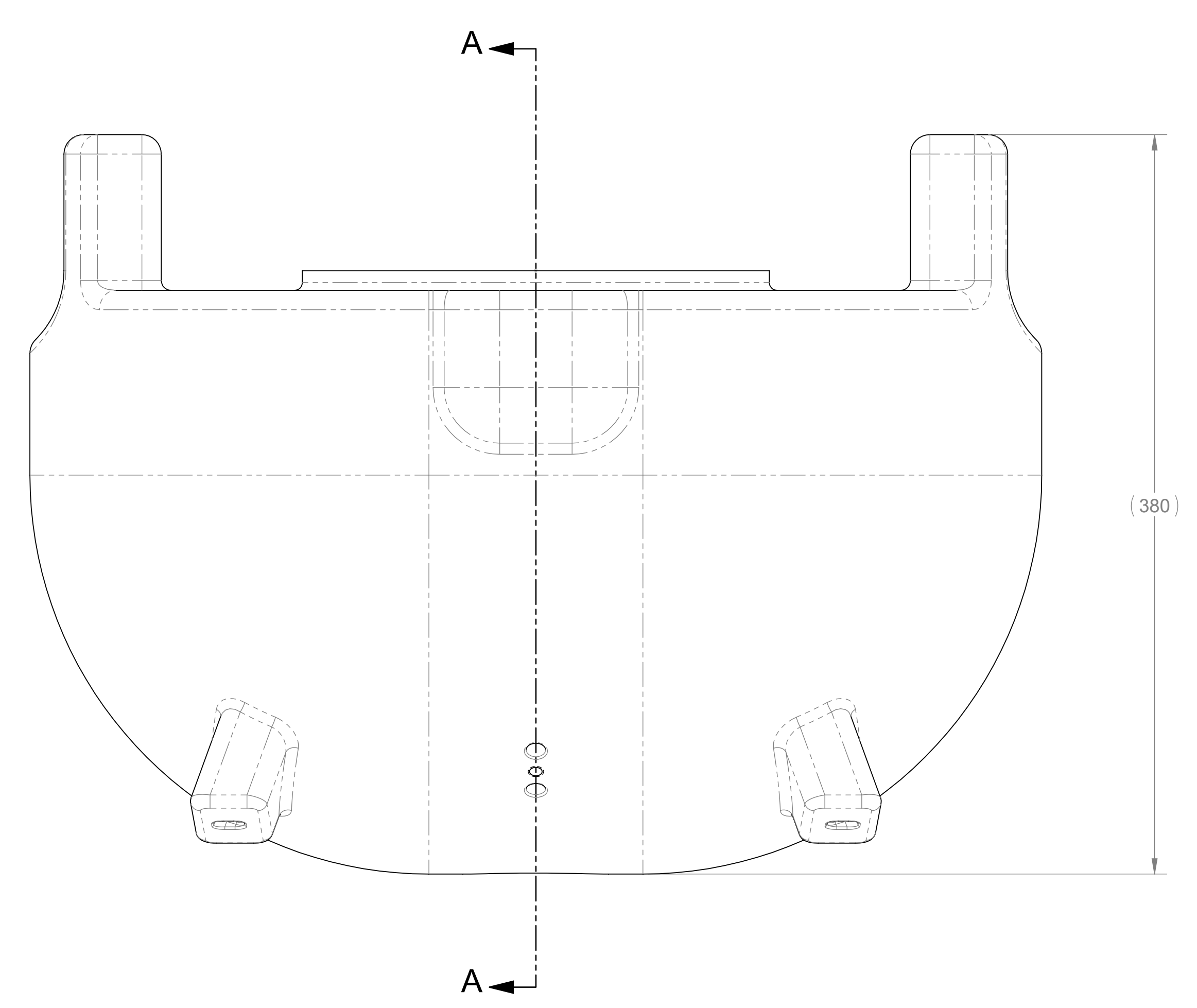


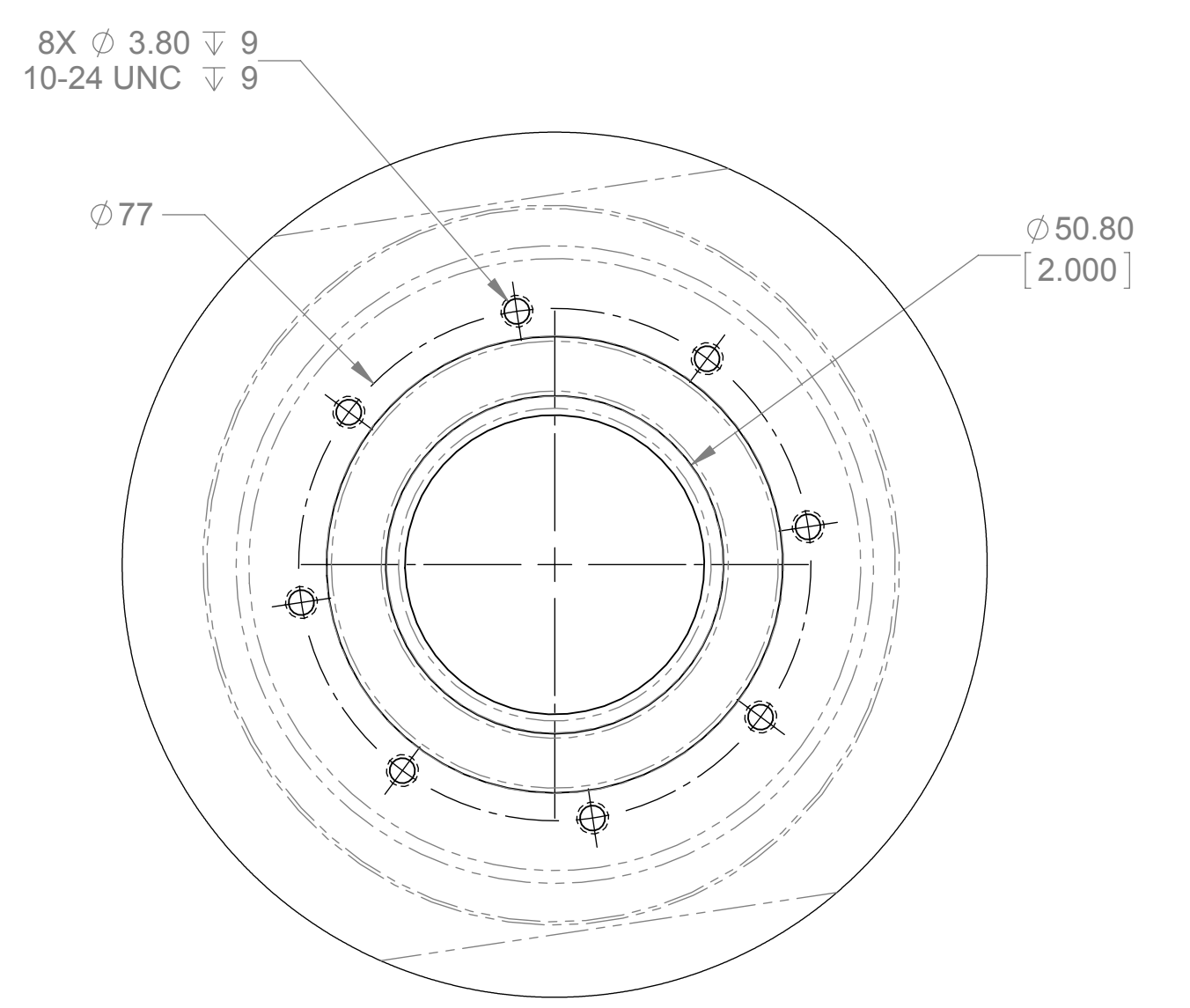
DETAIL E  
 SCALE 2:1



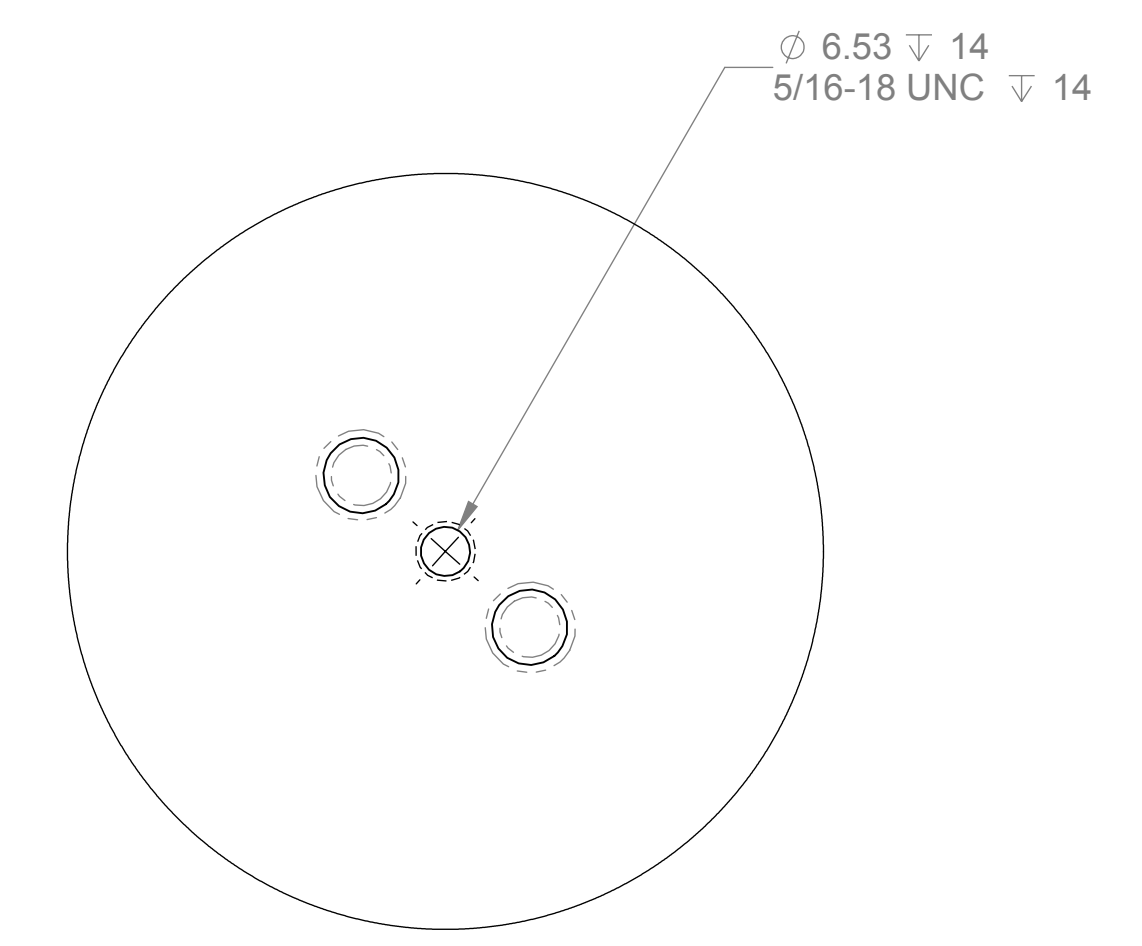
DETAIL D  
 SCALE 2:1



SECTION A-A



VIEW B-B  
 SCALE 1:1



VIEW C-C  
 SCALE 1:1