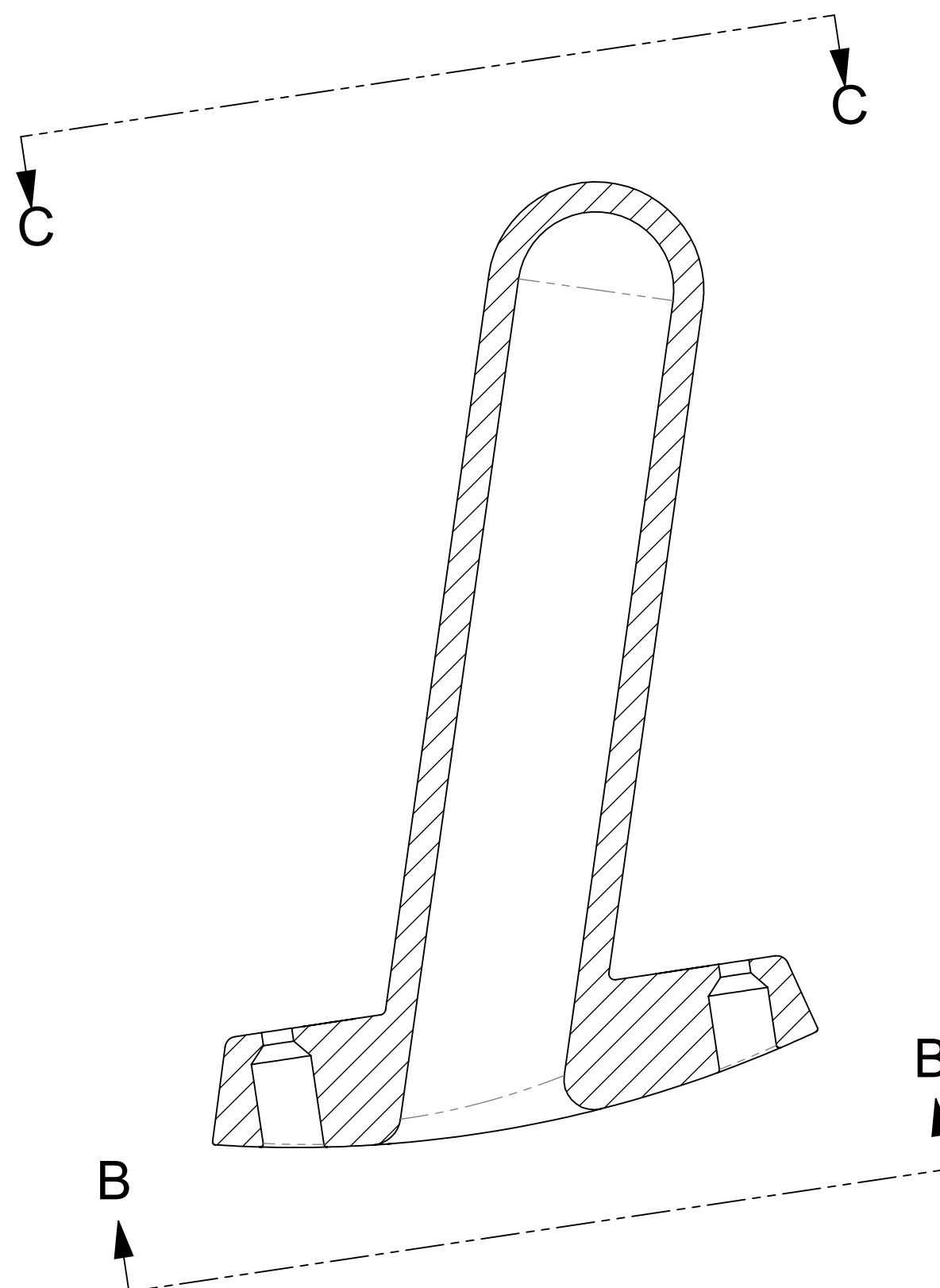
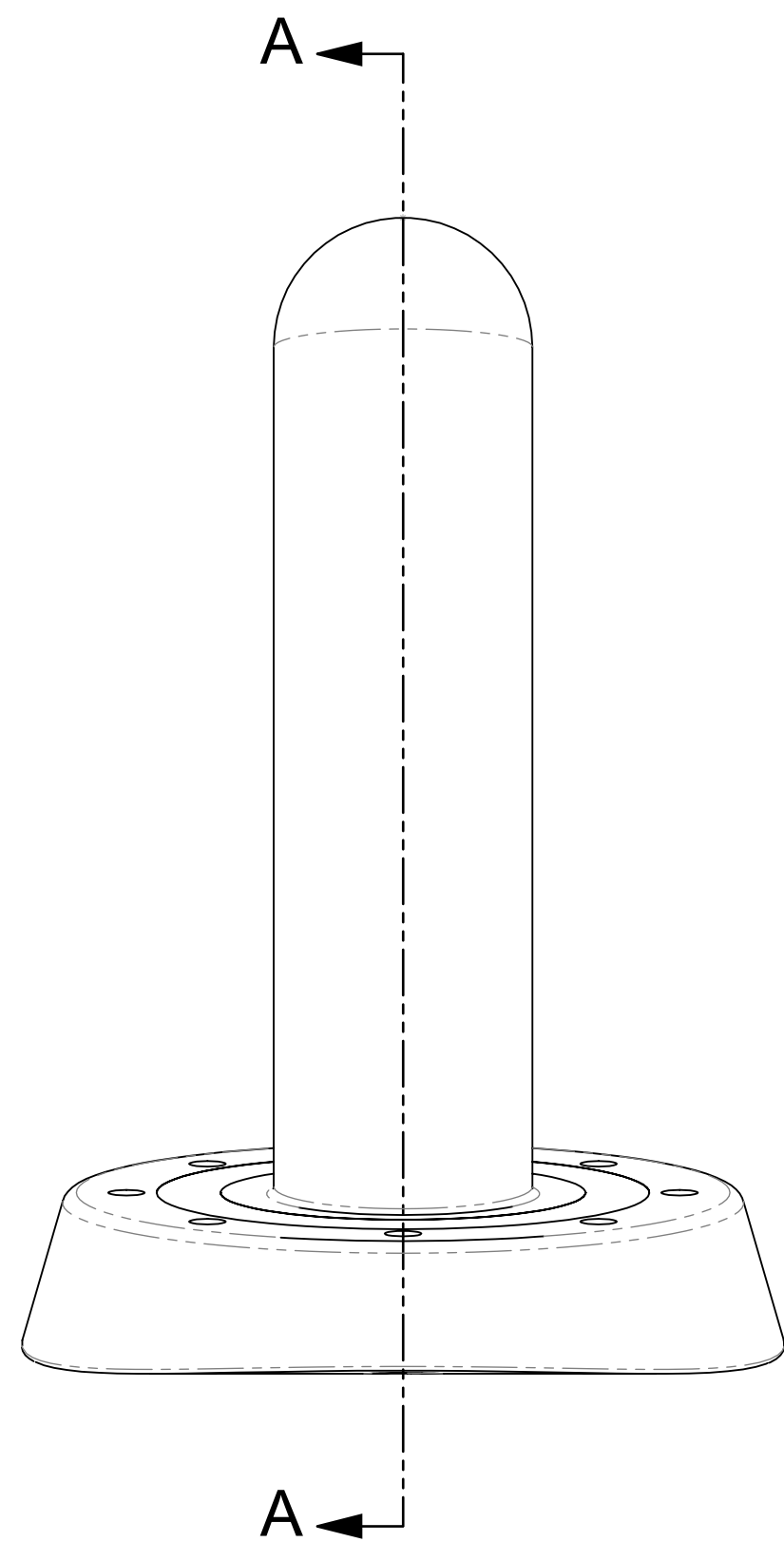
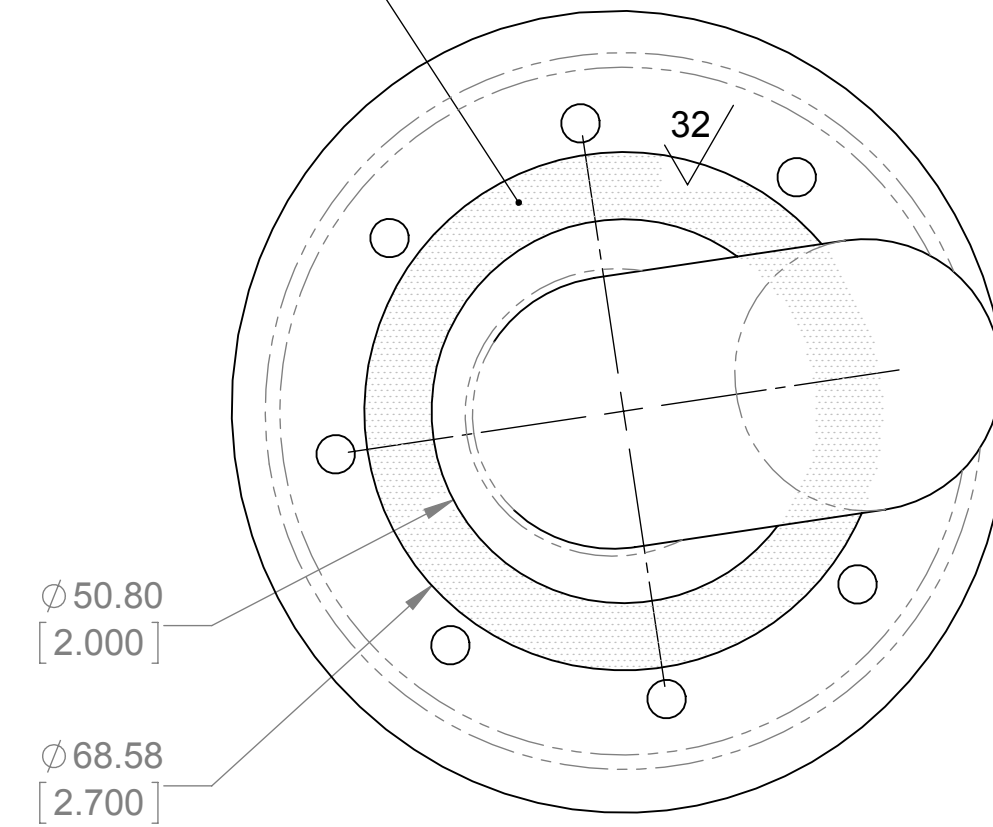


NOTES:
1. MATERIAL: SLS NYLON 12 GF

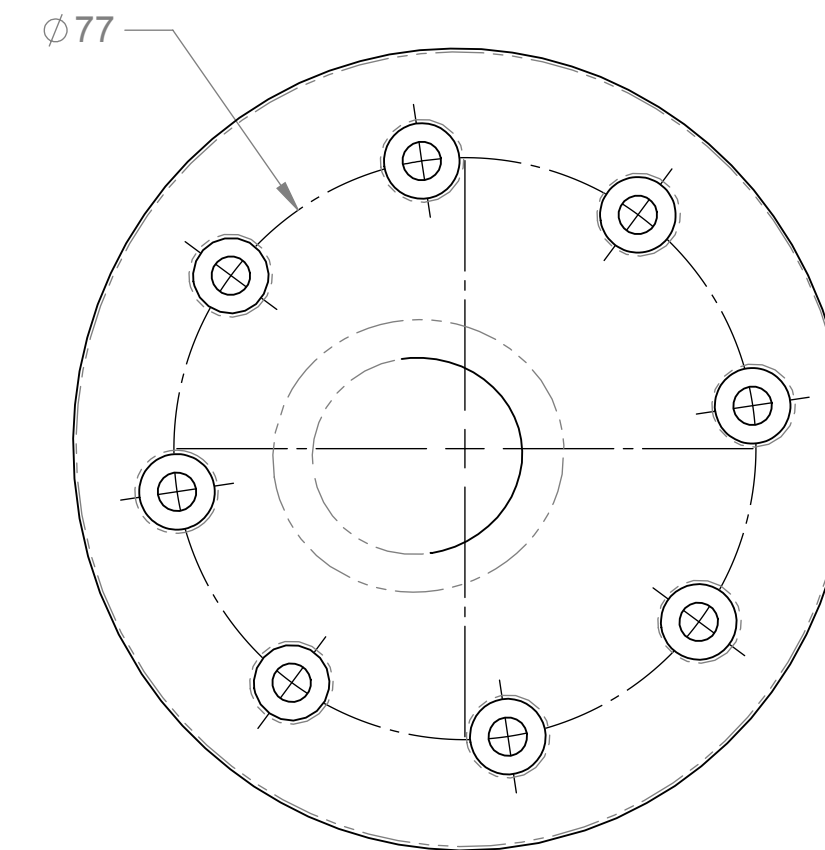


SECTION A-A

SURFACE FINISH MUST MEET SPECIFICATION IN THIS AREA BUT MAY EXTEND BEYOND



VIEW C-C



VIEW B-B

CONFIDENTIAL

<p>MATERIAL RESTRICTIONS: ALL PARTS AND ASSEMBLIES SUPPLIED TO THIS SPECIFICATION SHALL BE IN FULL COMPLIANCE WITH SM-0564 - MATERIAL PROHIBITIONS AND RESTRICTIONS.</p> <p>UNLESS OTHERWISE SPECIFIED THIS DOCUMENT CONTAINS PROPRIETARY DATA OF HOLOGIC INC. NO DISCLOSURE, REPRODUCTION, OR USE OF ANY PART THEREOF MAY BE MADE EXCEPT BY WRITTEN PERMISSION FROM HOLOGIC.</p>		<p>SENTINELLE MEDICAL A DIVISION OF HOLOGIC 555 RICHMOND STREET WEST TORONTO, ON M5V 3B1</p>	
<p>DO NOT SCALE DRAWING INTERPRET IN ACCORDANCE WITH ASME Y14.5M-2009 DIMENSIONS ARE IN mm TOLERANCES APPLY AS SHOWN BELOW</p> <p>0-10 ± 0.1 10-50 ± 0.2 50-100 ± 0.3 100-300 ± 0.4 300-1000 ± 0.5 ANGLES ± 5° SURFACE ROUGHNESS 0.8 μm</p>		<p>DESCRIPTION PC PHANTOM PROSTATE EXTERNAL BIG</p>	
<p>THIRD ANGLE PROJECTION</p>		<p>PART/ASSEMBLY NUMBER: XXX-YYYYY</p>	
<p>ENGINEER: J. JANKOWSKI</p> <p>AUTHORED BY: J. JANKOWSKI</p> <p>DRAFTED BY: J. JANKOWSKI</p> <p>REVISION RELEASE DATE:</p>	<p>DATE: N/A</p> <p>28FEB2013</p> <p>28FEB2013</p>	<p>SIZE: C</p> <p>SCALE: 1:1</p>	<p>DRAWING NUMBER: RR-XXXXX</p> <p>REV: 1</p> <p>MODEL FILENAME: pc phantom prostate external big 00</p>
<p>TR10</p>		<p>SHEET 1 OF 1</p>	