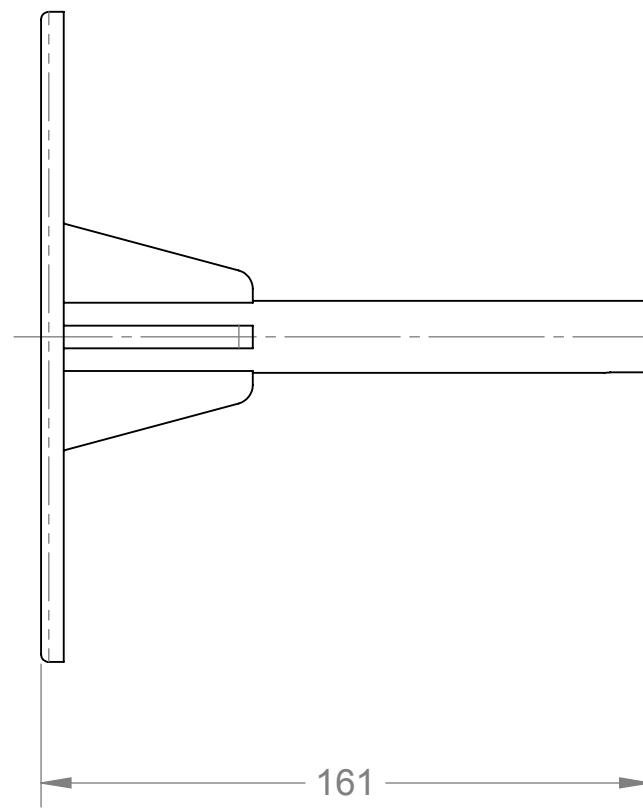
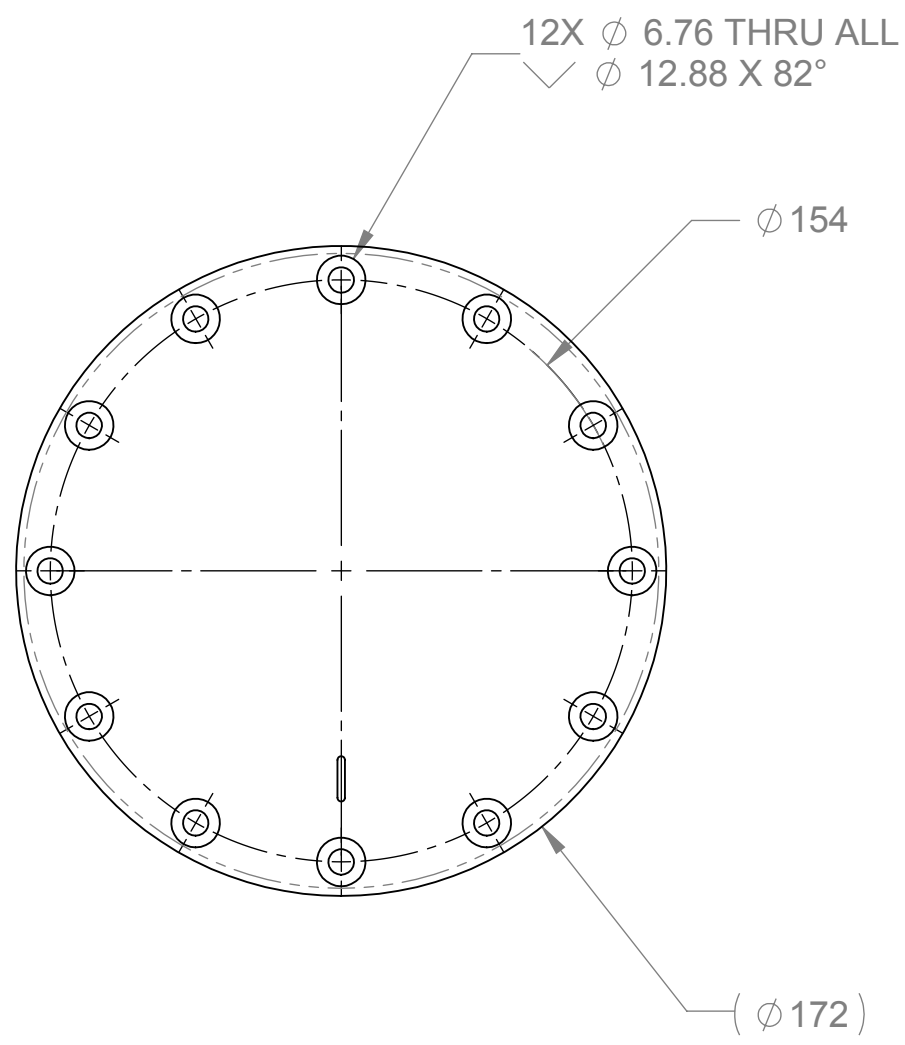
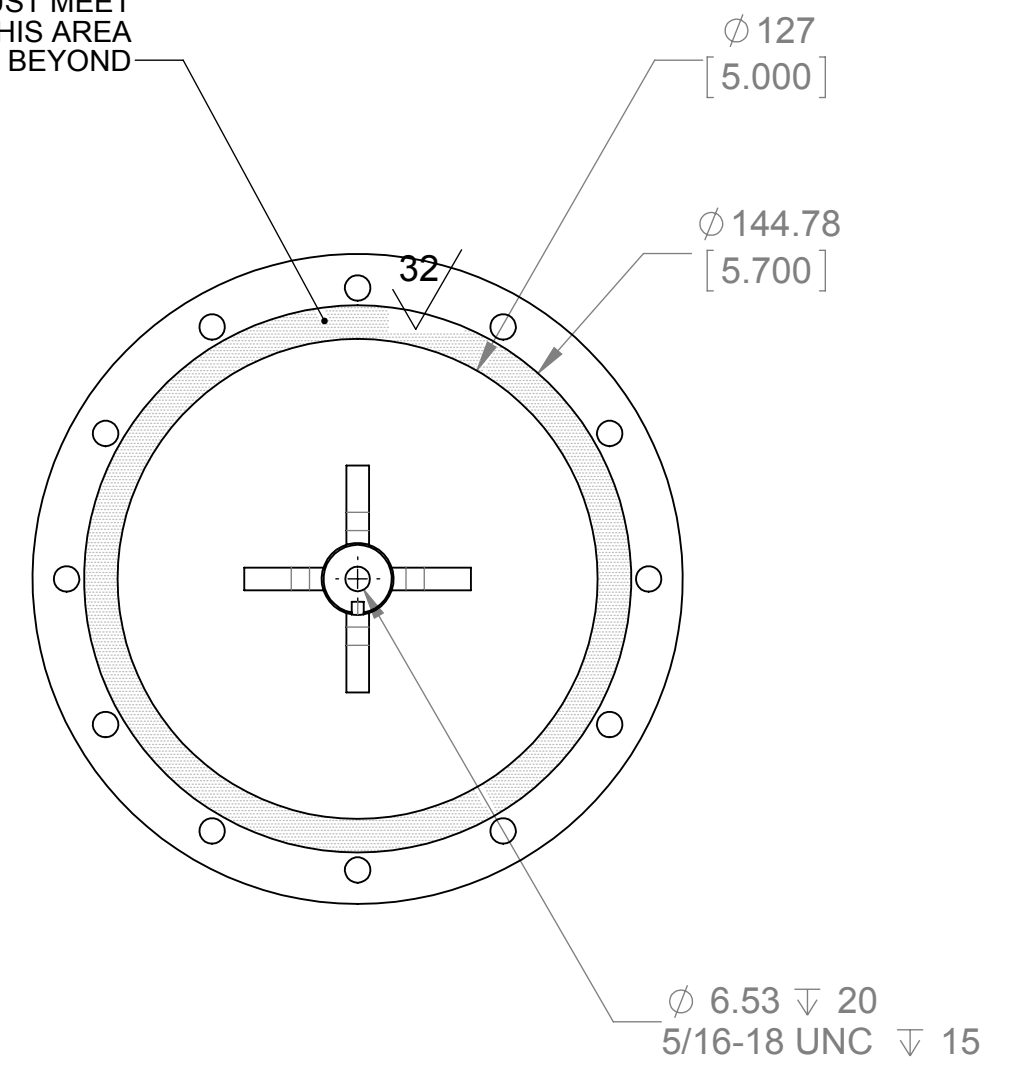


NOTES:  
1. MATERIAL: SLS NYLON 12 GF



SURFACE FINISH MUST MEET SPECIFICATION IN THIS AREA BUT MAY EXTEND BEYOND



CONFIDENTIAL

<p>MATERIAL RESTRICTIONS: ALL PARTS AND ASSEMBLIES SUPPLIED TO THIS SPECIFICATION SHALL BE IN FULL COMPLIANCE WITH SM-0564 - MATERIAL PROHIBITIONS AND RESTRICTIONS.</p> <p>DO NOT SCALE DRAWING INTERPRET IN ACCORDANCE WITH ASME Y14.5M-2009 DIMENSIONS ARE IN mm TOLERANCES APPLY AS SHOWN BELOW</p> <p>0-10 ± 0.1 10-50 ± 0.2 50-100 ± 0.3 100-300 ± 0.4 300-1000 ± 0.5 ANGLES ± 5° SURFACE ROUGHNESS 0.8 µm</p>		<p>THIS DOCUMENT CONTAINS PROPRIETARY DATA OF HOLOGIC INC. NO DISCLOSURE, REPRODUCTION, OR USE OF ANY PART THEREOF MAY BE MADE EXCEPT BY WRITTEN PERMISSION FROM HOLOGIC.</p>		<p>SENTINELLE MEDICAL A DIVISION OF HOLOGIC 555 RICHMOND STREET WEST TORONTO, ON M5V 3B1</p>	
<p>UNLESS OTHERWISE SPECIFIED</p>		<p>PROPOSED</p>		<p>DESCRIPTION <b>LID PHANTOM PROSTATE EXTERNAL SMALL</b></p>	
<p>THIRD ANGLE PROJECTION</p>		<p>NAME: J. JANKOWSKI DATE: N/A</p>		<p>PART/ASSEMBLY NUMBER: XXX-YYYYY</p>	
<p>ENGINEER: J. JANKOWSKI</p>		<p>AUTHORED BY: J. JANKOWSKI 28FEB2013</p>		<p>SIZE: C DRAWING NUMBER: RR-XXXXX REV: 0</p>	
<p>DRAFTED BY: J. JANKOWSKI 28FEB2013</p>		<p>REVISION RELEASE DATE:</p>		<p>SCALE: 1:2 MODEL FILENAME: lid phantom prostate external small 00 SHEET 1 OF 1</p>	