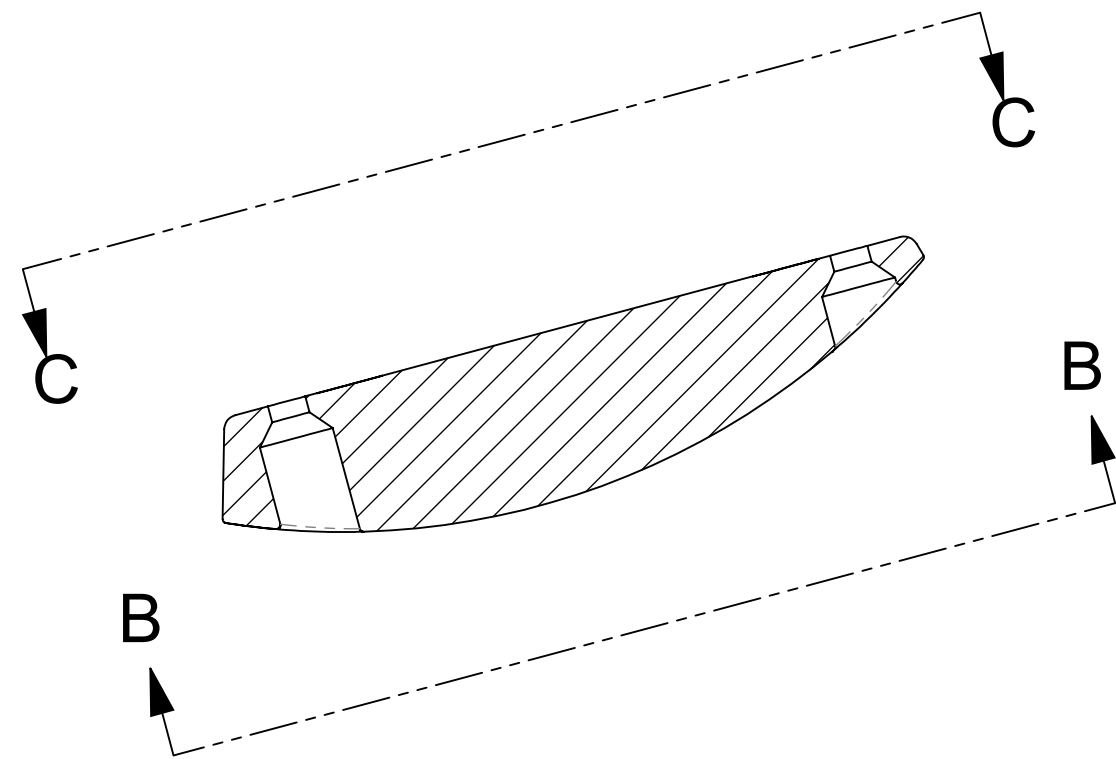
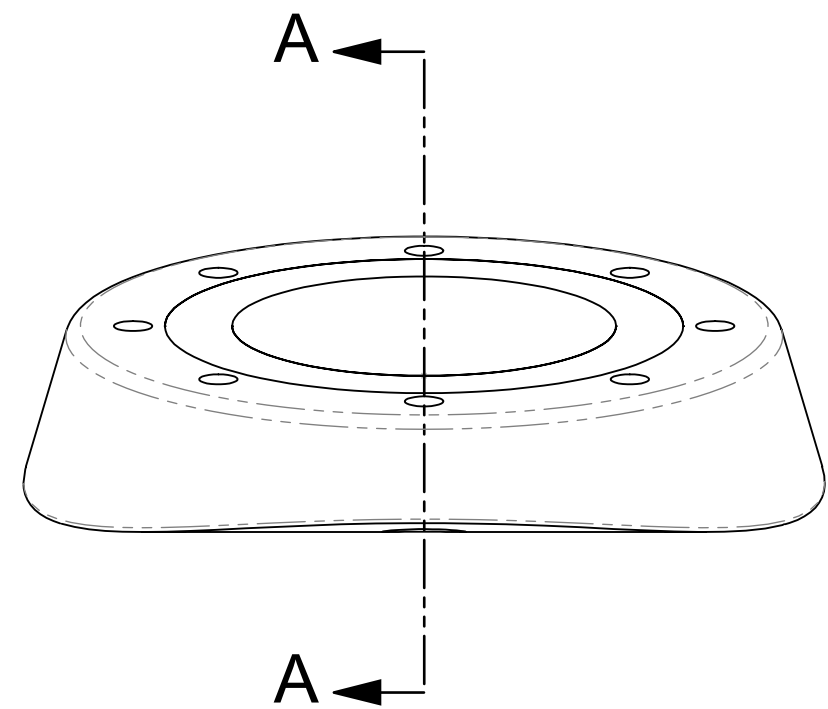
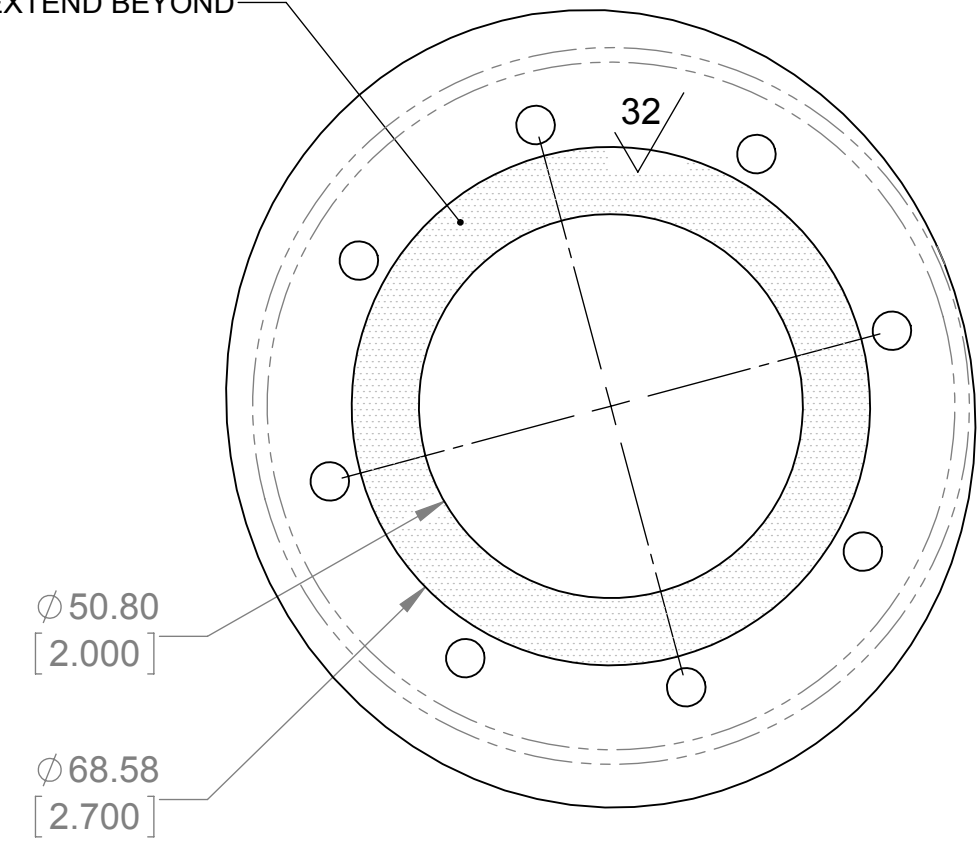


NOTES:  
 1. MATERIAL: SLS NYLON 12 GF

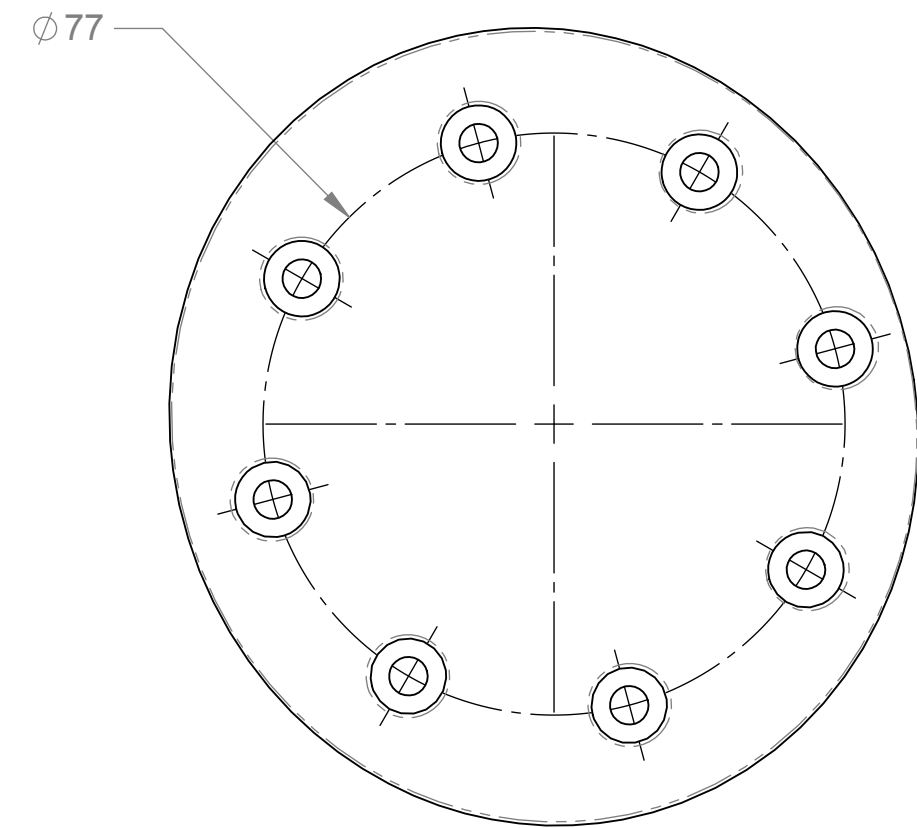


SECTION A-A

SURFACE FINISH MUST MEET SPECIFICATION IN THIS AREA BUT MAY EXTEND BEYOND



VIEW C-C



VIEW B-B

CONFIDENTIAL

<p>MATERIAL RESTRICTIONS: ALL PARTS AND ASSEMBLIES SUPPLIED TO THIS SPECIFICATION SHALL BE IN FULL COMPLIANCE WITH SM-0564 - MATERIAL PROHIBITIONS AND RESTRICTIONS.</p> <p>UNLESS OTHERWISE SPECIFIED THIS DOCUMENT CONTAINS PROPRIETARY DATA OF HOLOGIC INC. NO DISCLOSURE, REPRODUCTION, OR USE OF ANY PART THEREOF MAY BE MADE EXCEPT BY WRITTEN PERMISSION FROM HOLOGIC.</p> <p>DO NOT SCALE DRAWING        INTERPRET IN ACCORDANCE WITH ASME Y14.5M-2009        DIMENSIONS ARE IN mm        TOLERANCES APPLY AS SHOWN BELOW</p> <p>0-10 ± 0.1        10-50 ± 0.2        50-100 ± 0.3        100-300 ± 0.4        300-1000 ± 0.5        ANGLES ± 5°        SURFACE ROUGHNESS 0.8 μm</p>		<p>SENTINELLE MEDICAL        A DIVISION OF HOLOGIC        555 RICHMOND STREET WEST        TORONTO, ON        M5V 3B1</p>	
<p>THIRD ANGLE PROJECTION</p>		<p><b>PROPOSED</b></p>	
<p>ENGINEER: J. JANKOWSKI</p> <p>AUTHORED BY: J. JANKOWSKI</p> <p>DRAFTED BY: J. JANKOWSKI</p> <p>REVISION RELEASE DATE:</p>	<p>DATE: N/A</p> <p>28FEB2013</p> <p>28FEB2013</p>	<p>DESCRIPTION: PC COVER PHANTOM PROSTATE EXTERNAL SMALL</p> <p>PART/ASSEMBLY NUMBER: XXX-YYYYY</p> <p>SIZE: C</p> <p>SCALE: 1:1</p>	<p>REVISION: 1</p> <p>MODEL FILENAME: pc cover phantom prostate external small 00</p> <p>SHEET 1 OF 1</p>