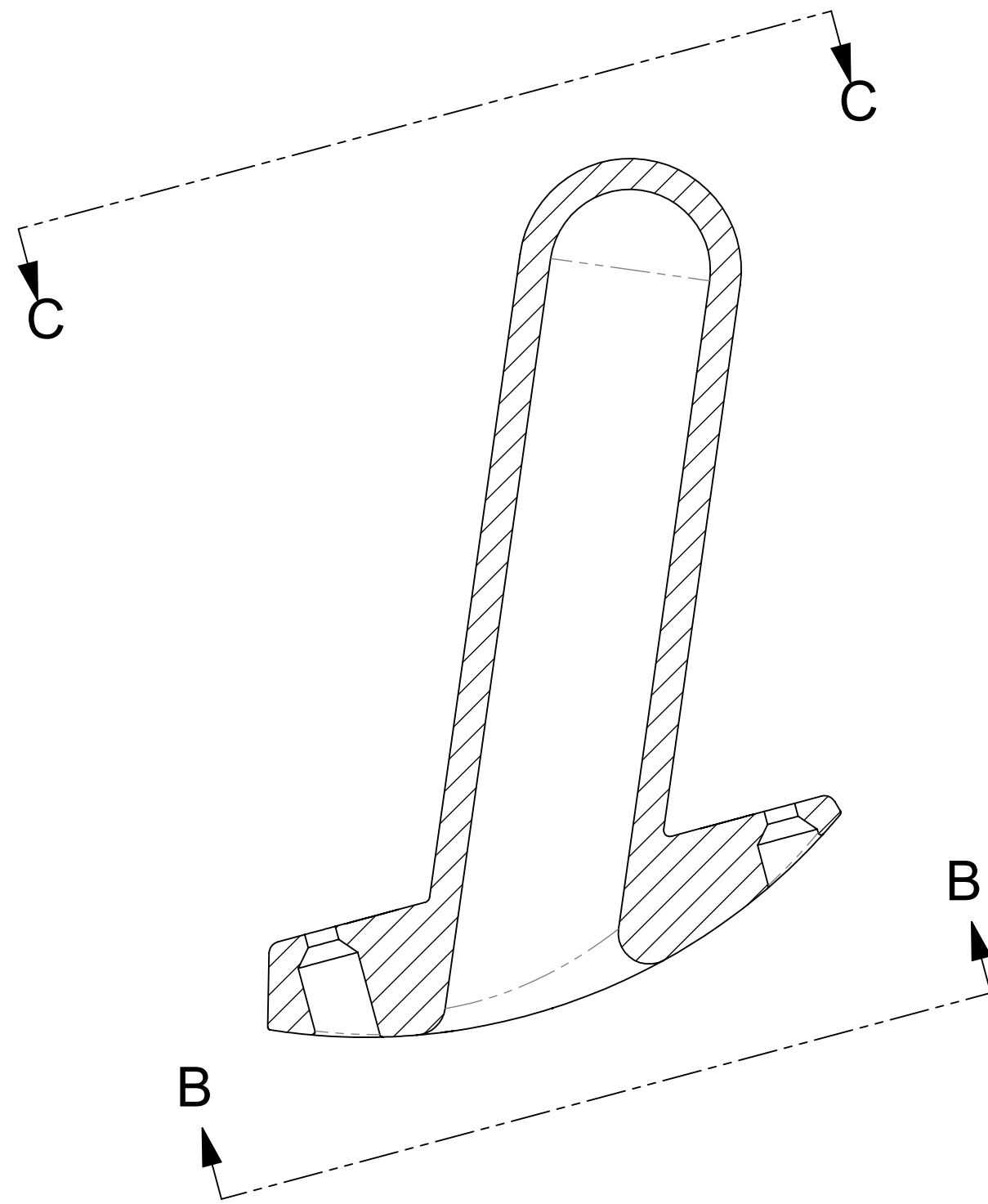
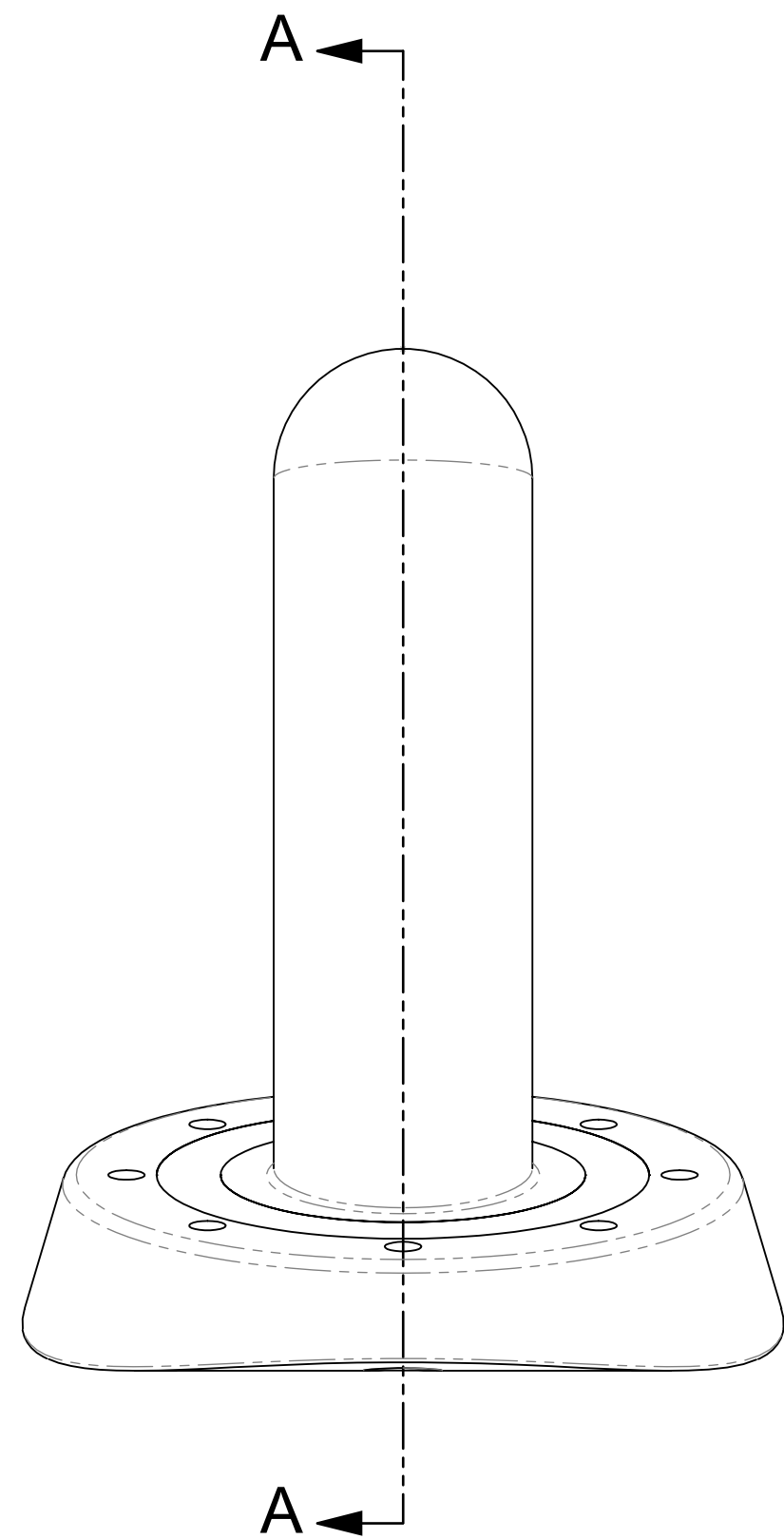
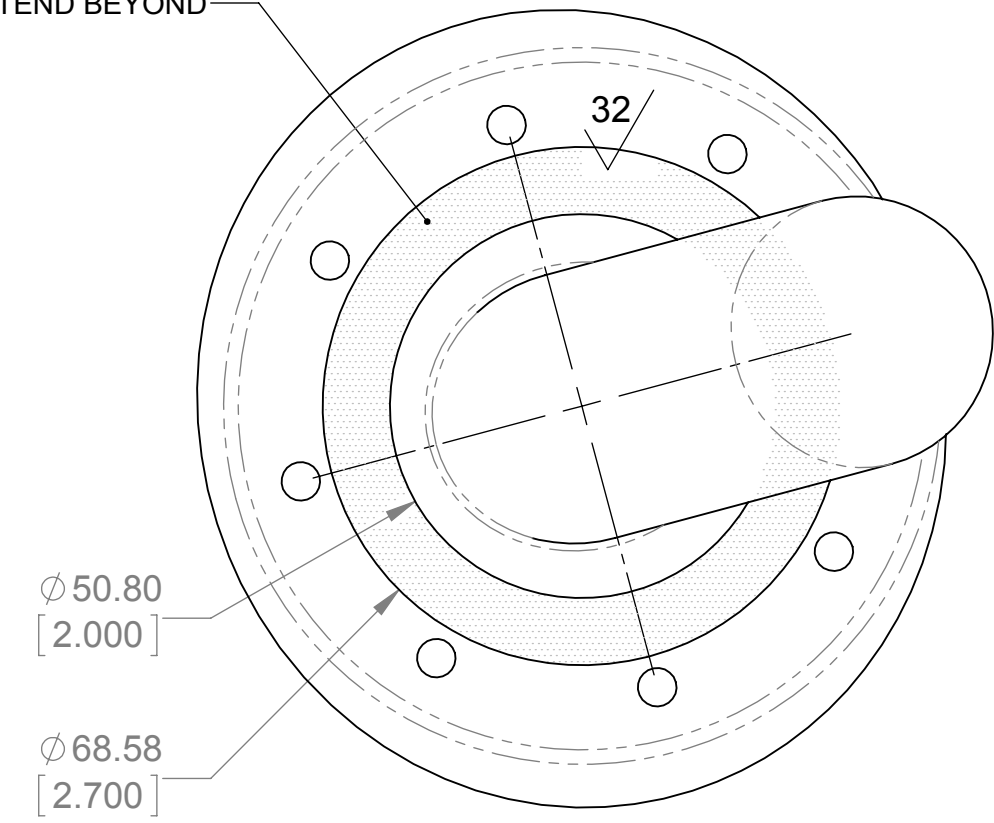


NOTES:
1. MATERIAL: SLS NYLON 12 GF

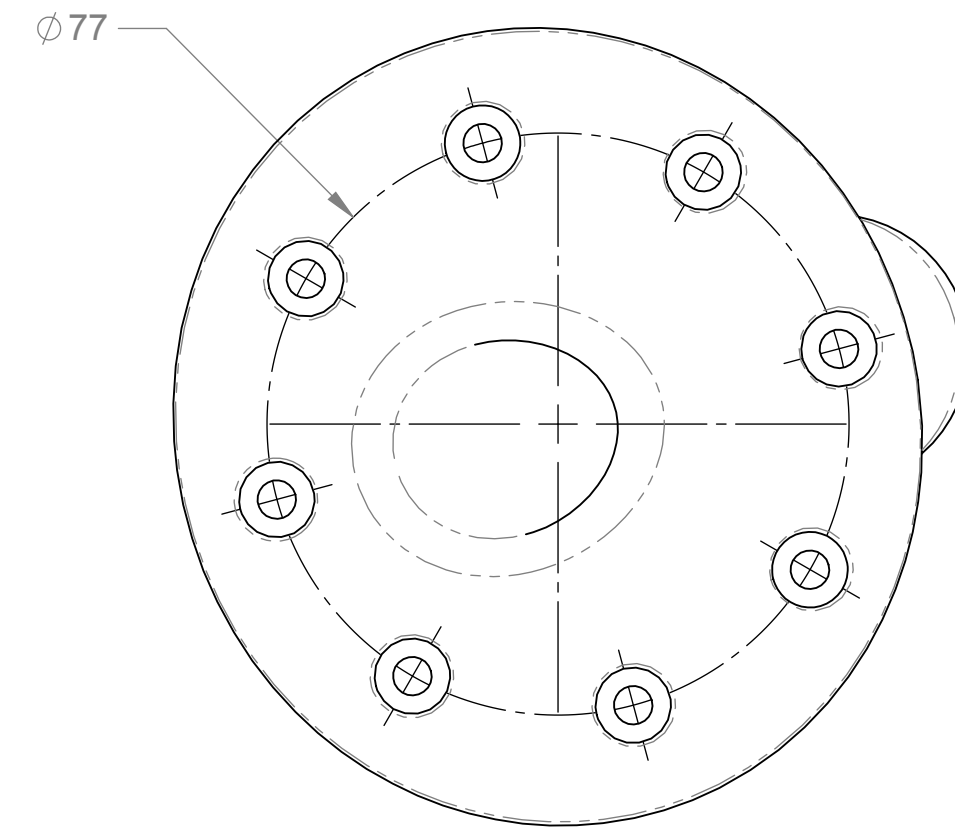


SECTION A-A

SURFACE FINISH MUST MEET SPECIFICATION IN THIS AREA BUT MAY EXTEND BEYOND



VIEW C-C



VIEW B-B

CONFIDENTIAL

MATERIAL RESTRICTIONS: ALL PARTS AND ASSEMBLIES SUPPLIED TO THIS SPECIFICATION SHALL BE IN FULL COMPLIANCE WITH SM-0564 - MATERIAL PROHIBITIONS AND RESTRICTIONS.		THIS DOCUMENT CONTAINS PROPRIETARY DATA OF HOLOGIC INC. NO DISCLOSURE, REPRODUCTION, OR USE OF ANY PART THEREOF MAY BE MADE EXCEPT BY WRITTEN PERMISSION FROM HOLOGIC.		HOLOGIC A DIVISION OF HOLOGIC 555 RICHMOND STREET WEST TORONTO, ON M5V 3B1	
UNLESS OTHERWISE SPECIFIED DO NOT SCALE DRAWING INTERPRET IN ACCORDANCE WITH ASME Y14.5M-2009 DIMENSIONS ARE IN mm TOLERANCES APPLY AS SHOWN BELOW 0-10 ± 0.1 10-50 ± 0.2 50-100 ± 0.3 100-300 ± 0.4 300-1000 ± 0.5 ANGLES ± 5° SURFACE ROUGHNESS 0.8 μm		DO NOT SCALE DRAWING INTERPRET IN ACCORDANCE WITH ASME Y14.5M-2009 DIMENSIONS ARE IN mm TOLERANCES APPLY AS SHOWN BELOW 0-10 ± 0.1 10-50 ± 0.2 50-100 ± 0.3 100-300 ± 0.4 300-1000 ± 0.5 ANGLES ± 5° SURFACE ROUGHNESS 0.8 μm		DESCRIPTION PC PHANTOM PROSTATE EXTERNAL SMALL	
THIRD ANGLE PROJECTION		NAME: J. JANKOWSKI DATE: N/A ENGINEER: J. JANKOWSKI AUTHORED BY: J. JANKOWSKI DRAFTED BY: J. JANKOWSKI REVISION RELEASE DATE:		PART/ASSEMBLY NUMBER: XXX-YYYYY DRAWING NUMBER: RR-XXXXX SCALE: 1:1 MODEL FILENAME: pc phantom prostate external small 00	
		SIZE: C REVISION: 1 SHEET: 1 OF 1		REVISION: 1 SHEET: 1 OF 1	