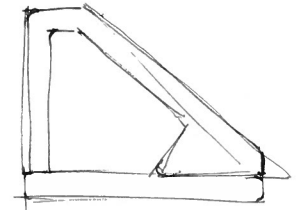
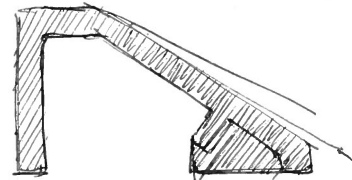
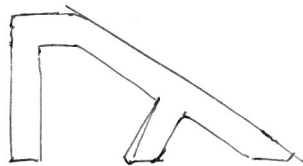
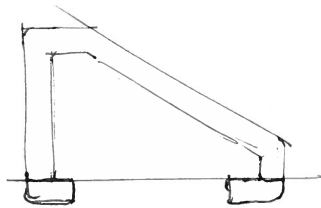
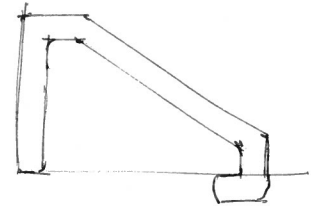
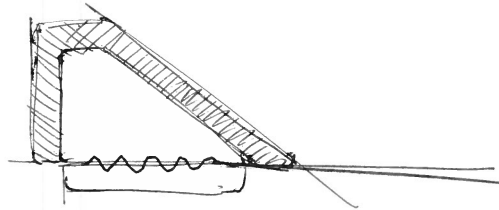
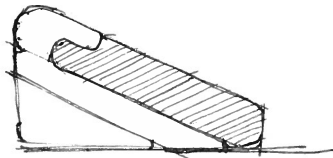
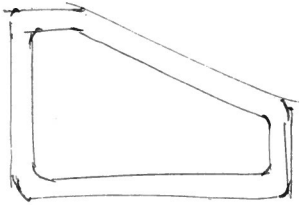
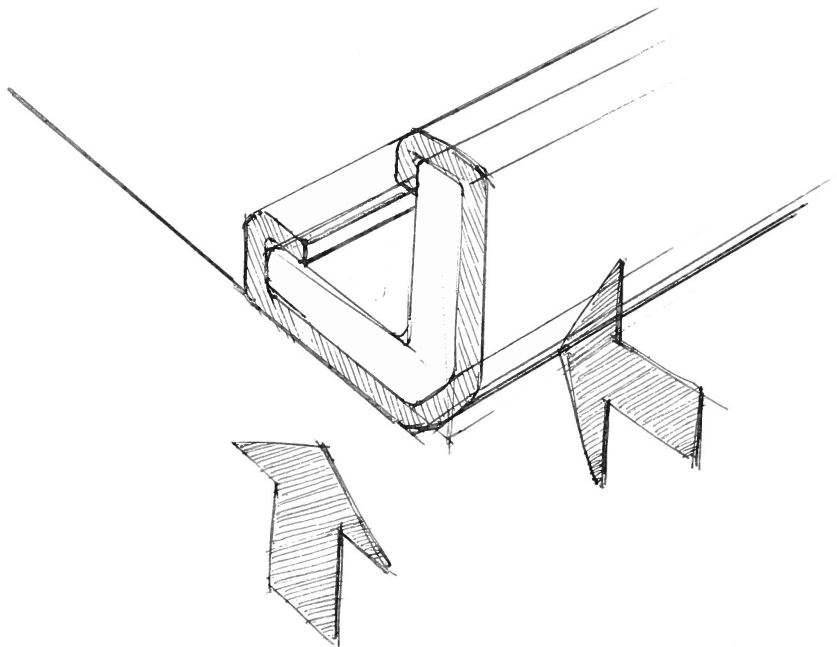
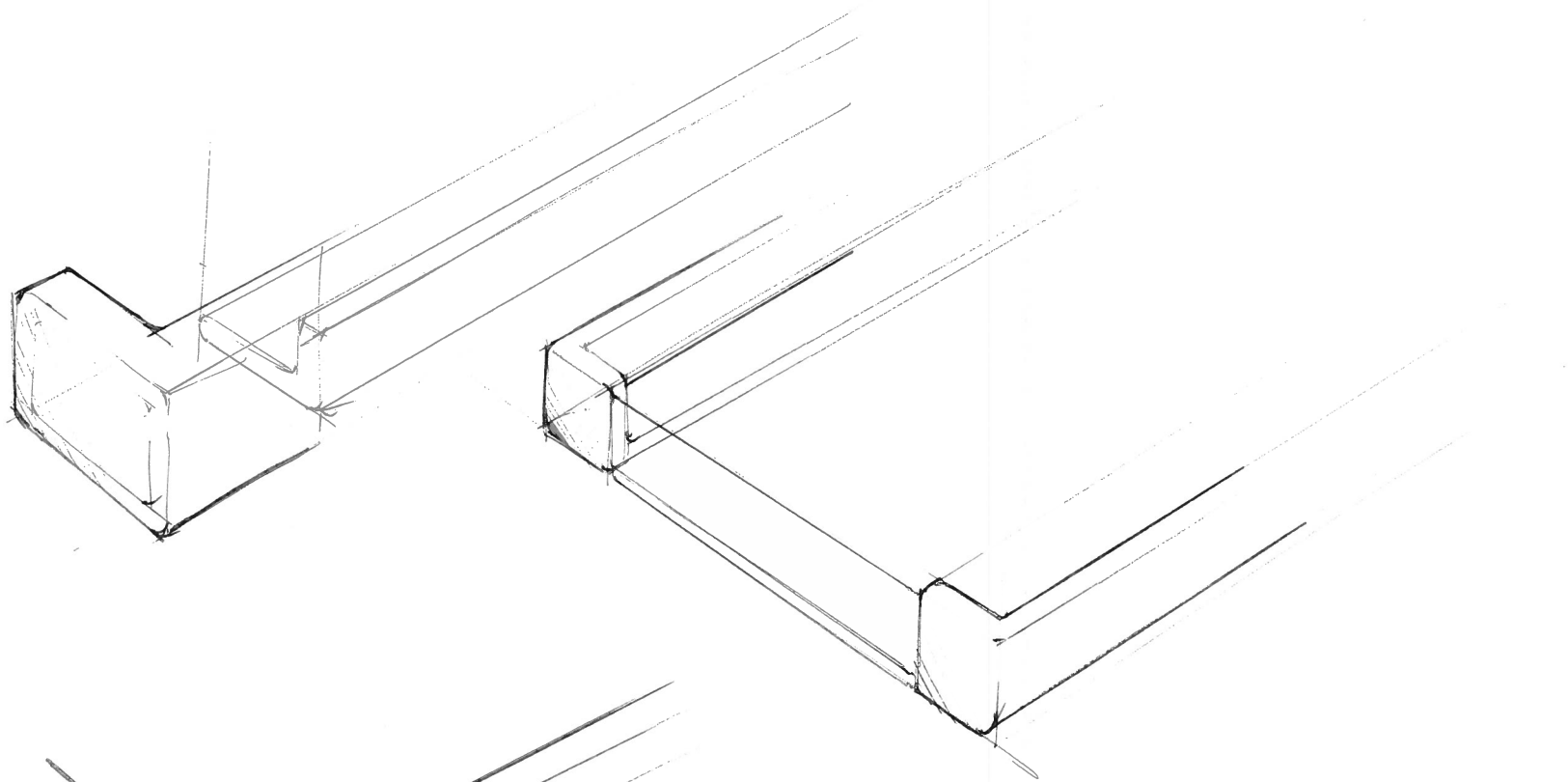
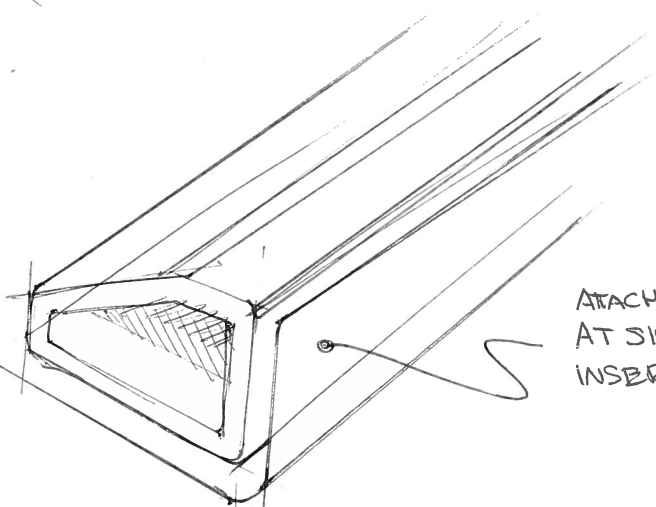
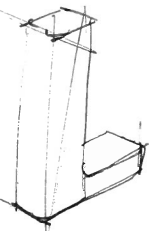
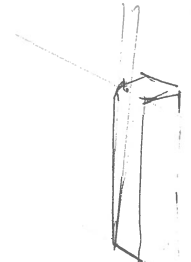
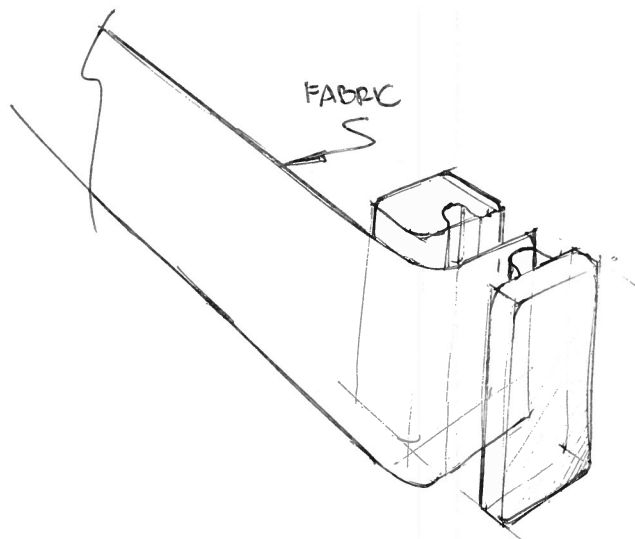
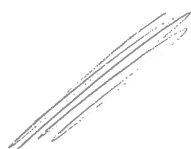


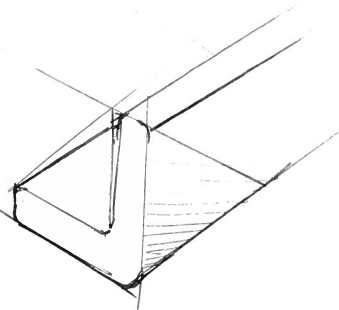
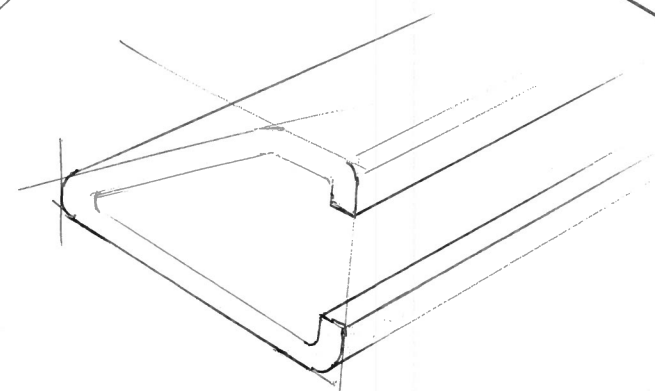
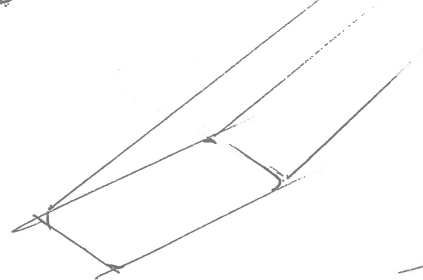
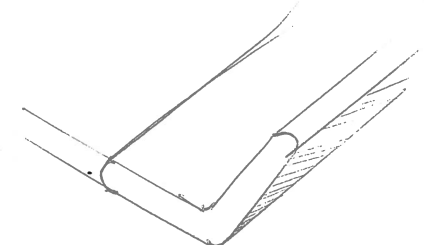
INTEGRAL HINGE?

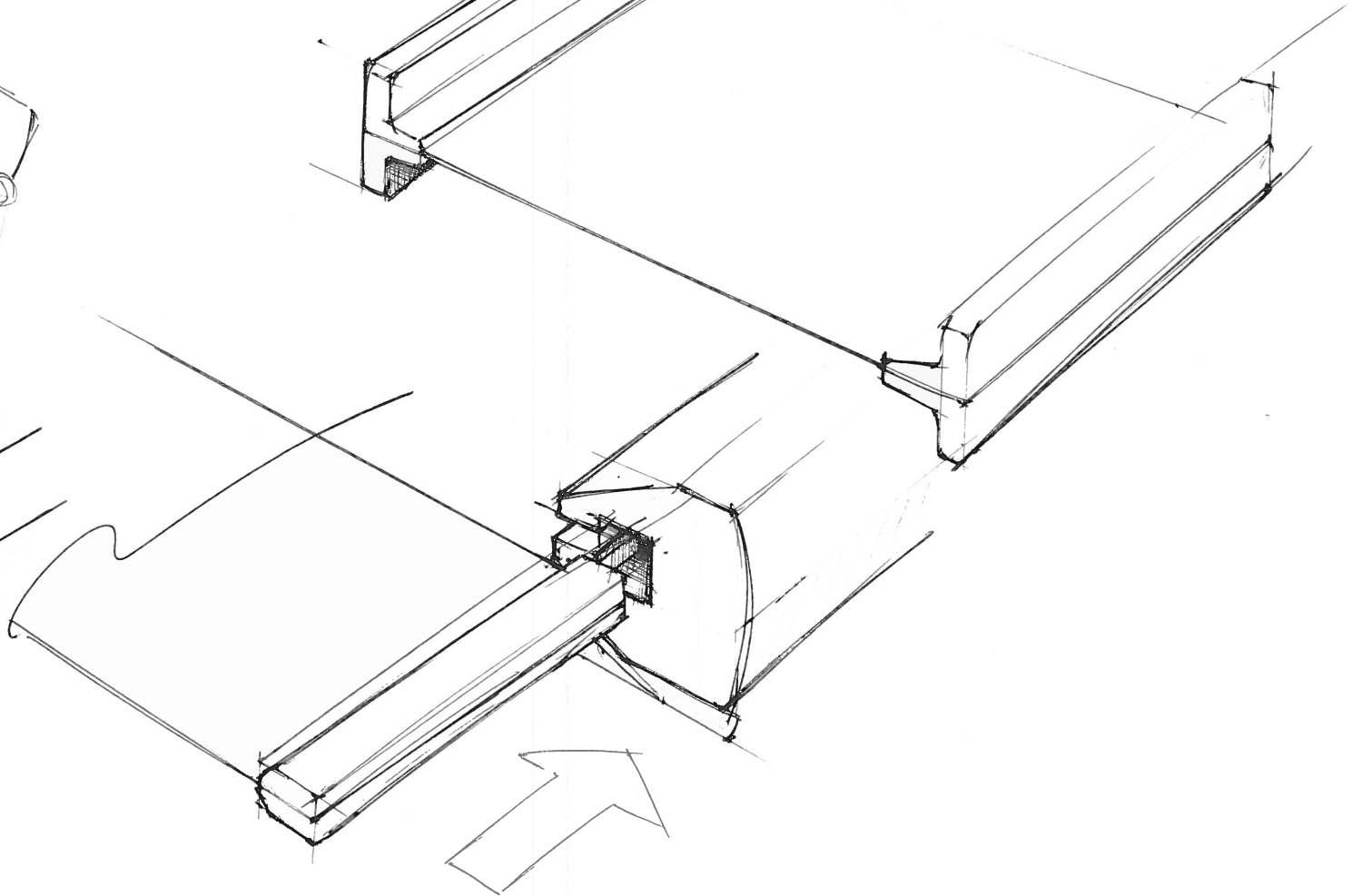
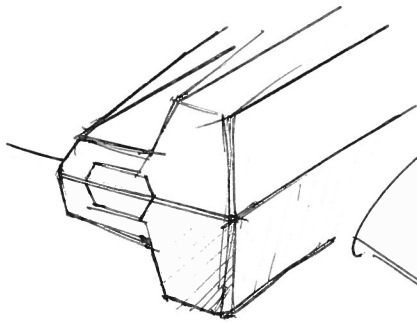
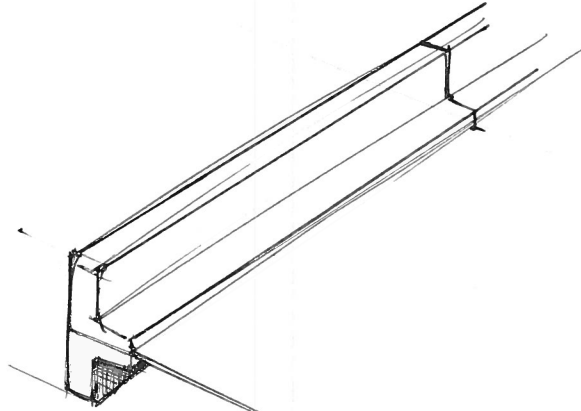
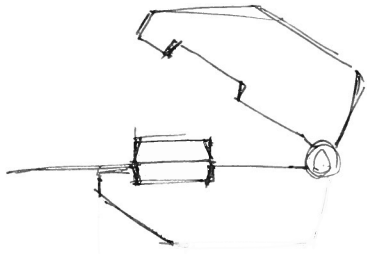
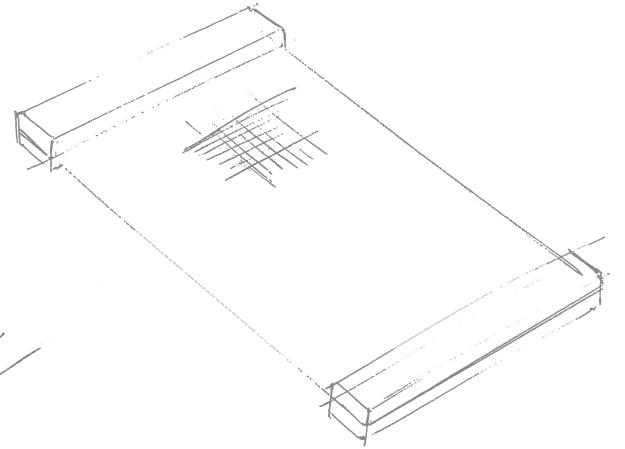
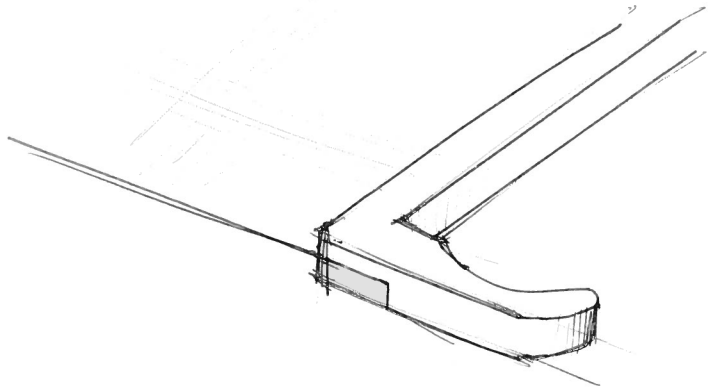
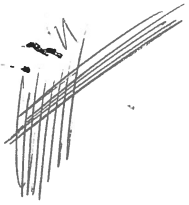




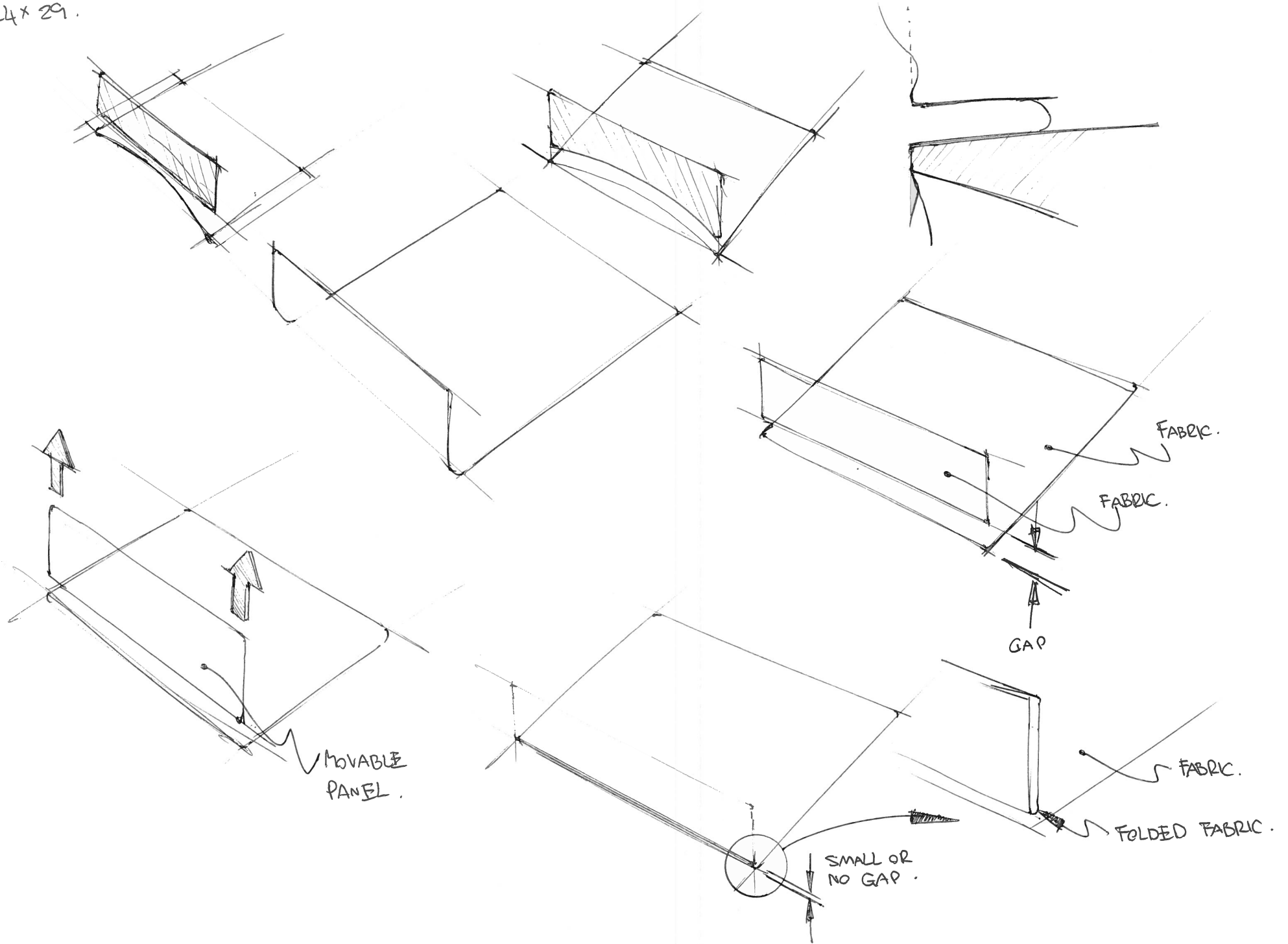


ATTACH FABRIC  
AT SIDE OF  
INSERT TUBE



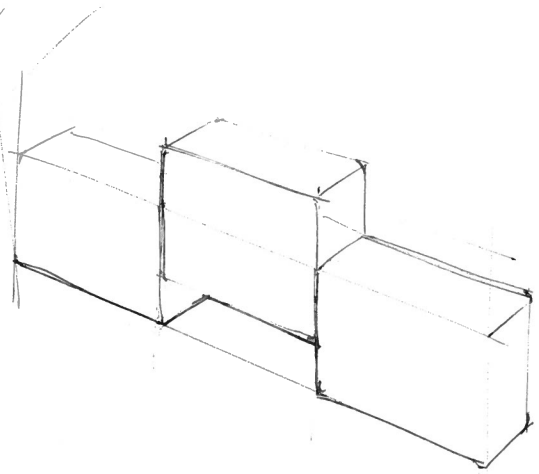
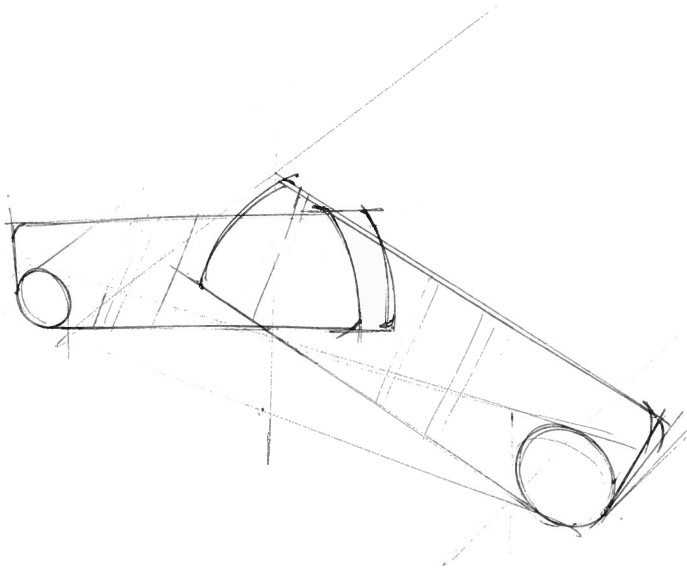
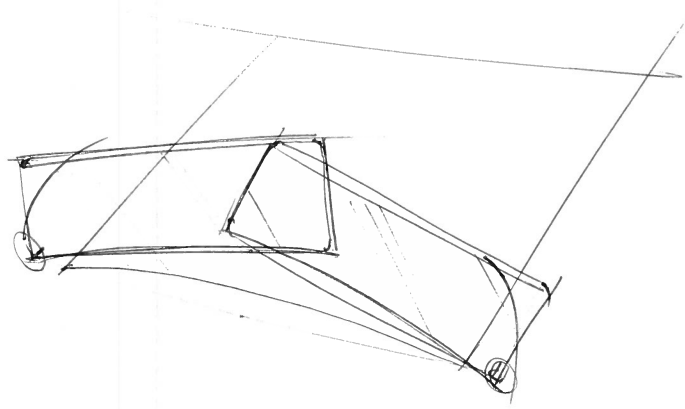
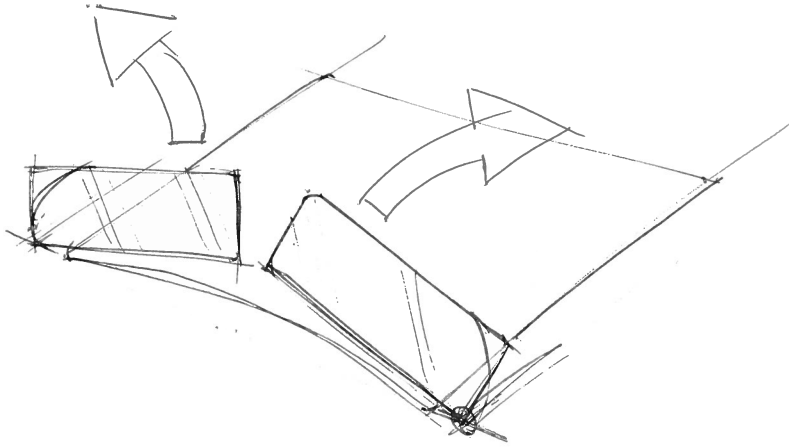


18x24  
24x29.

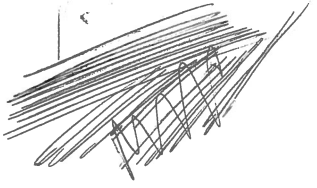


⊗ Simple Options

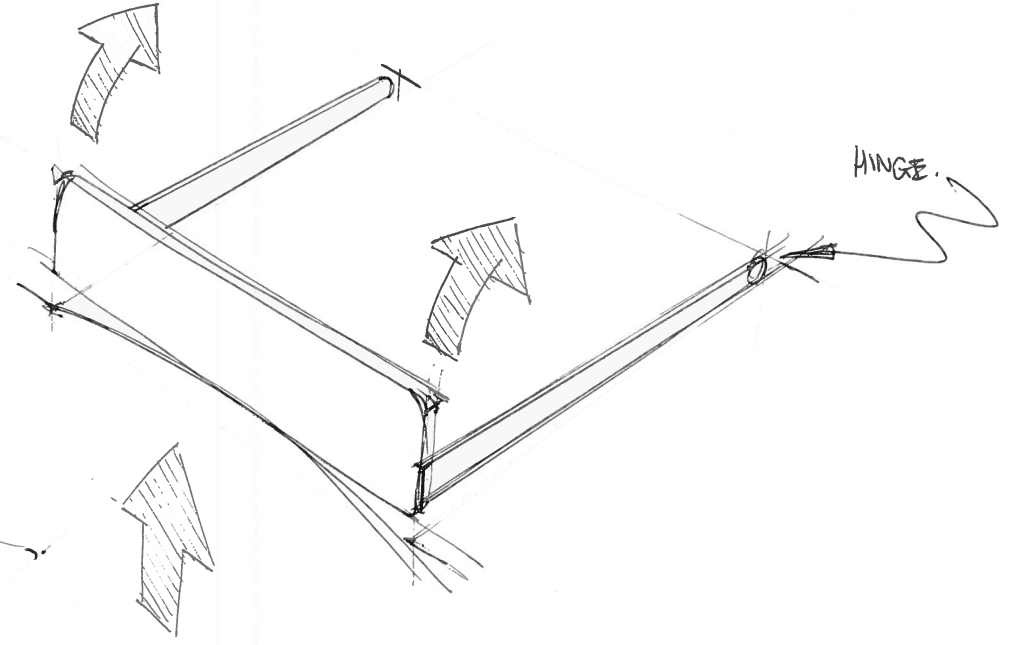
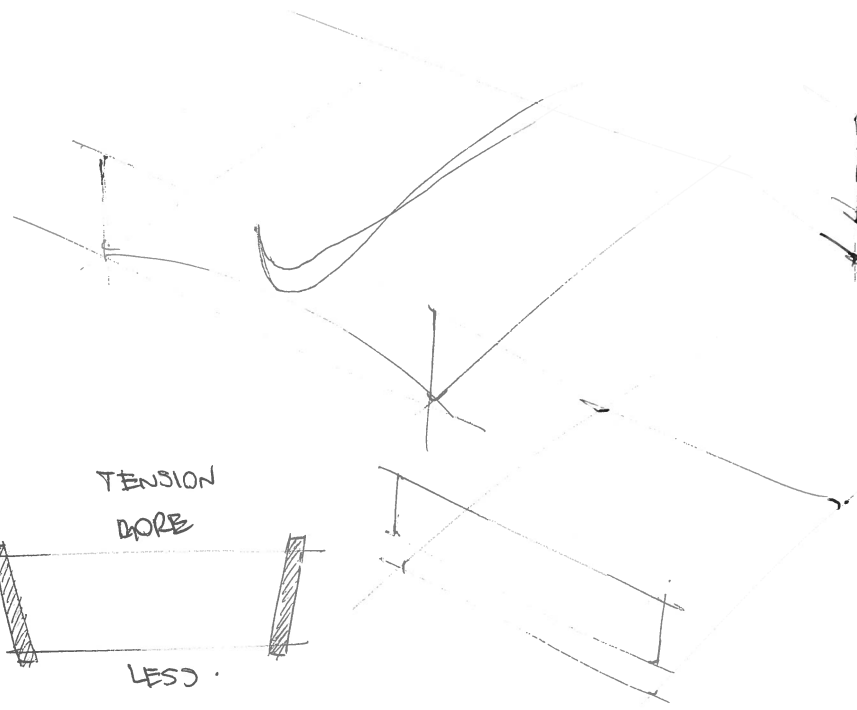
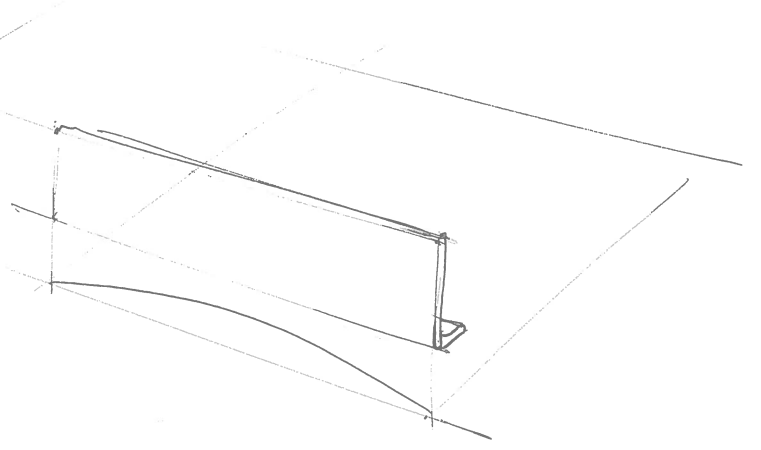
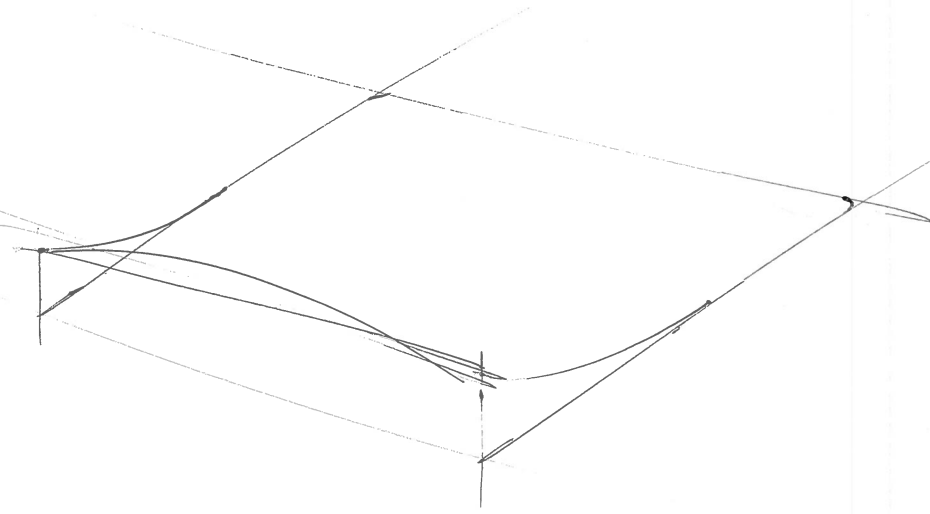
- strap around tarso
- sticky tape



- ~~XXXXX~~  
- FLAB BARRIER ADDED AFTER COMPRESSION. - DRAW!



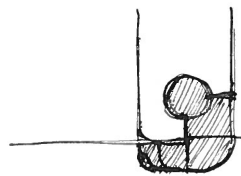
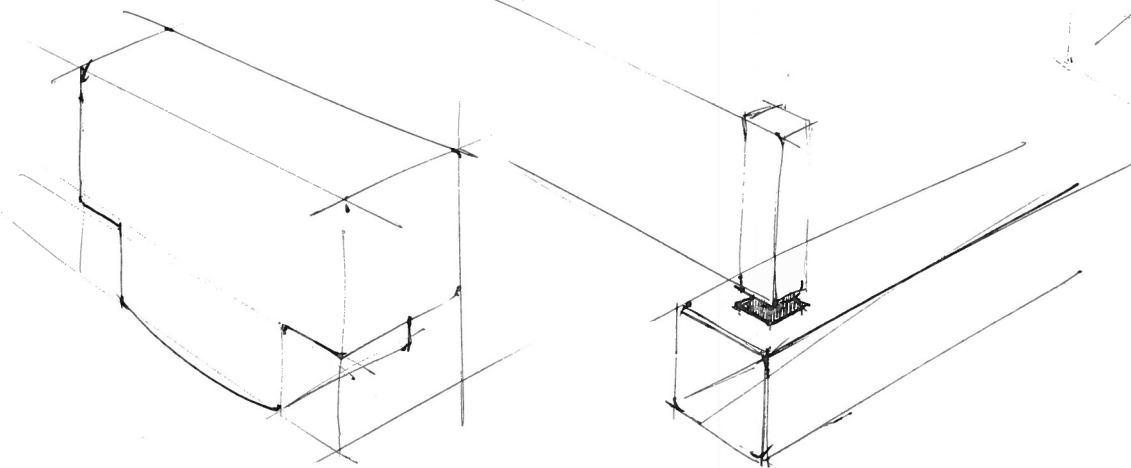
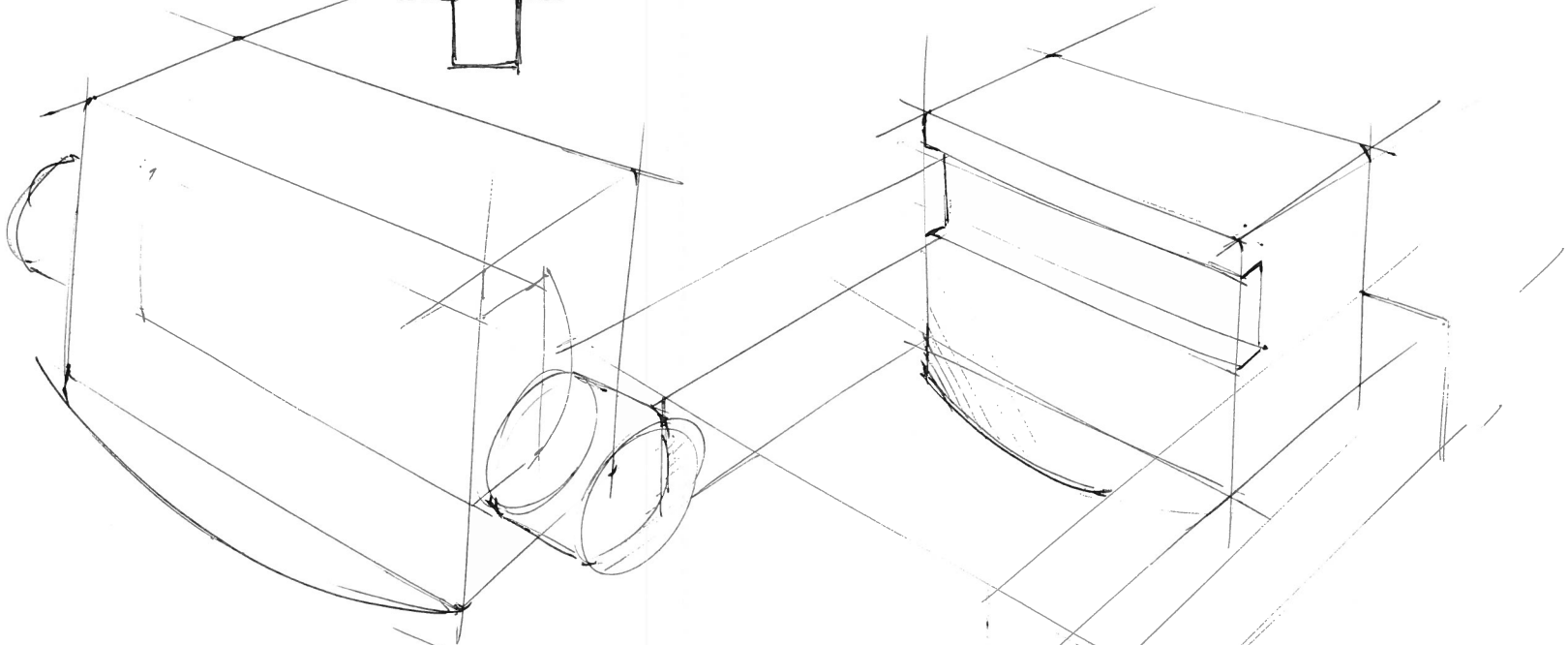
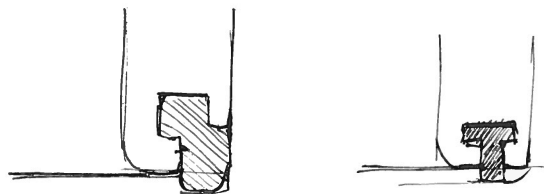
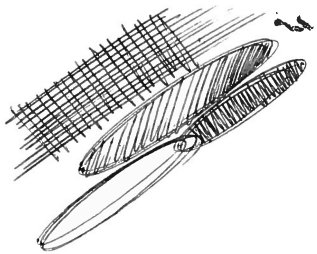
W



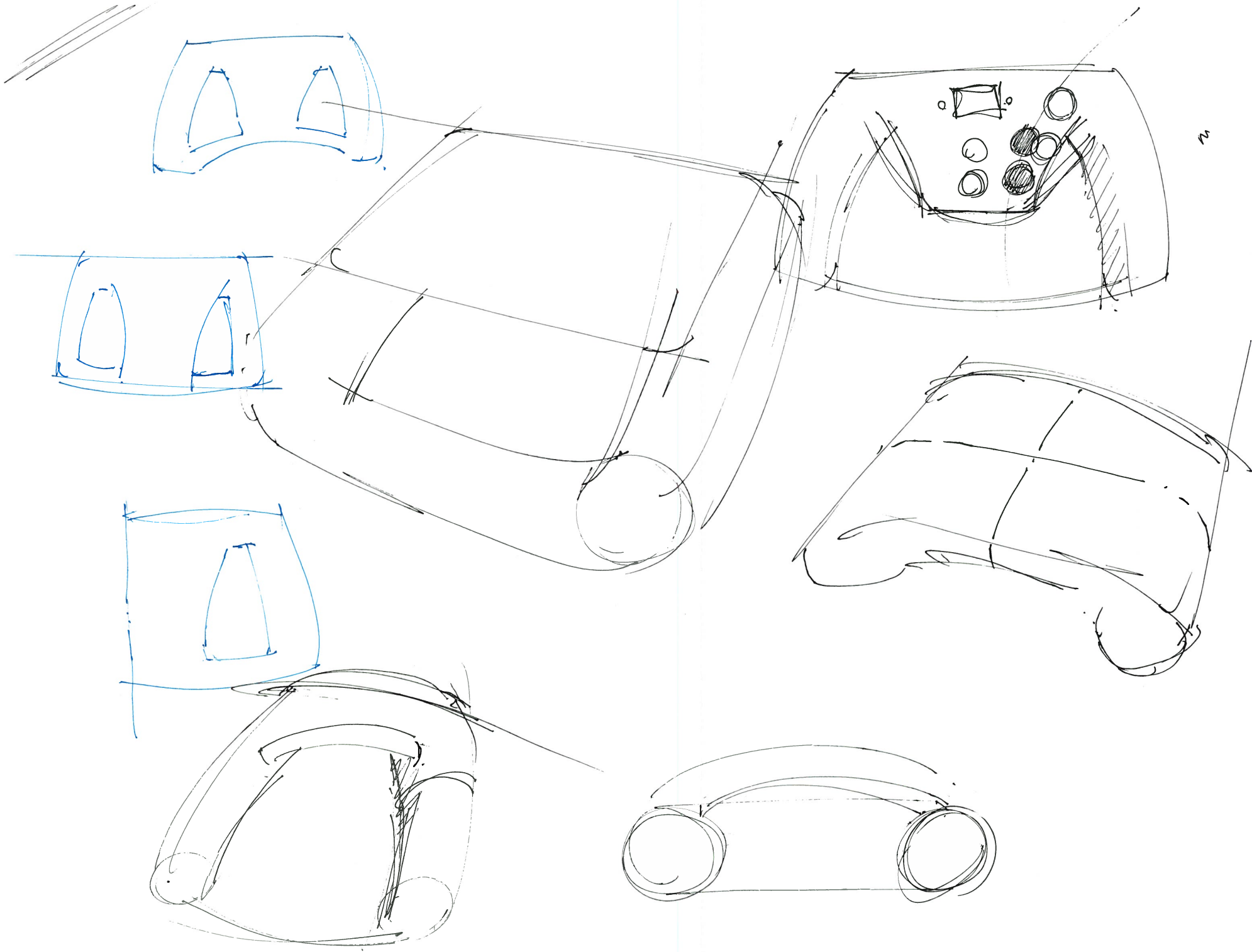
TENSION  
BORE



LESS .







m

