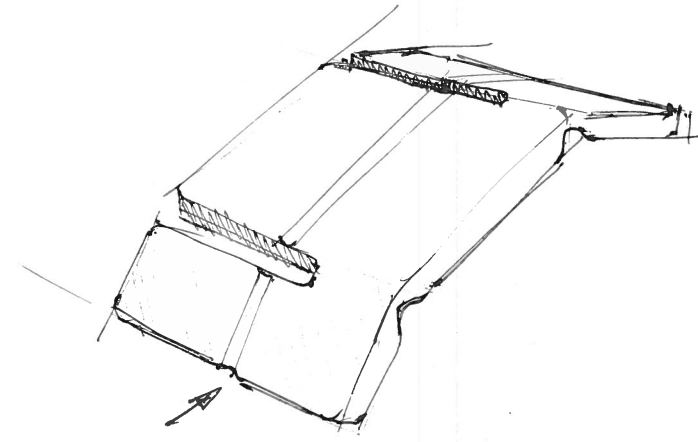
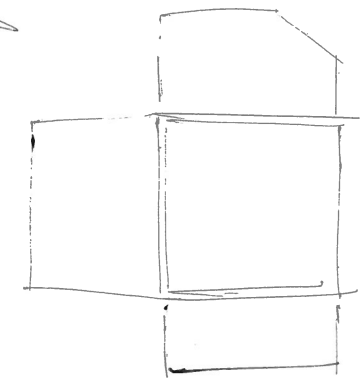
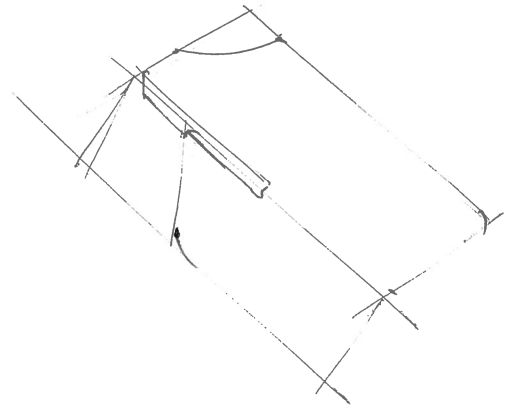
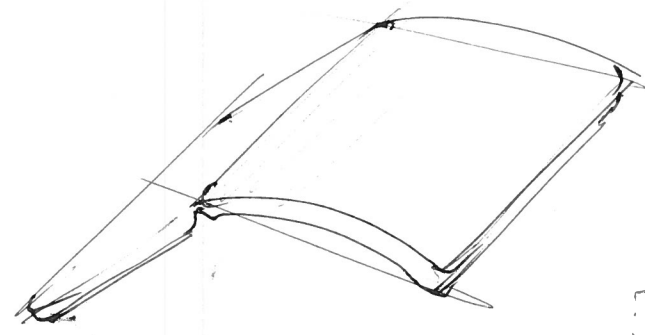
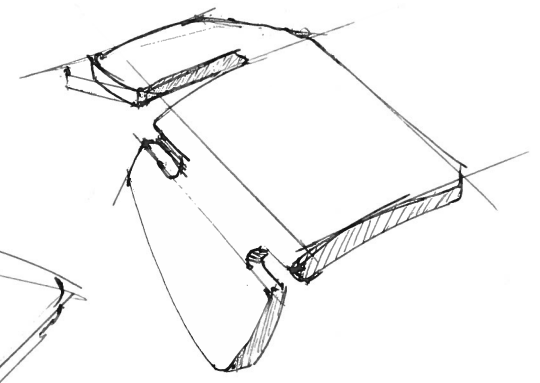
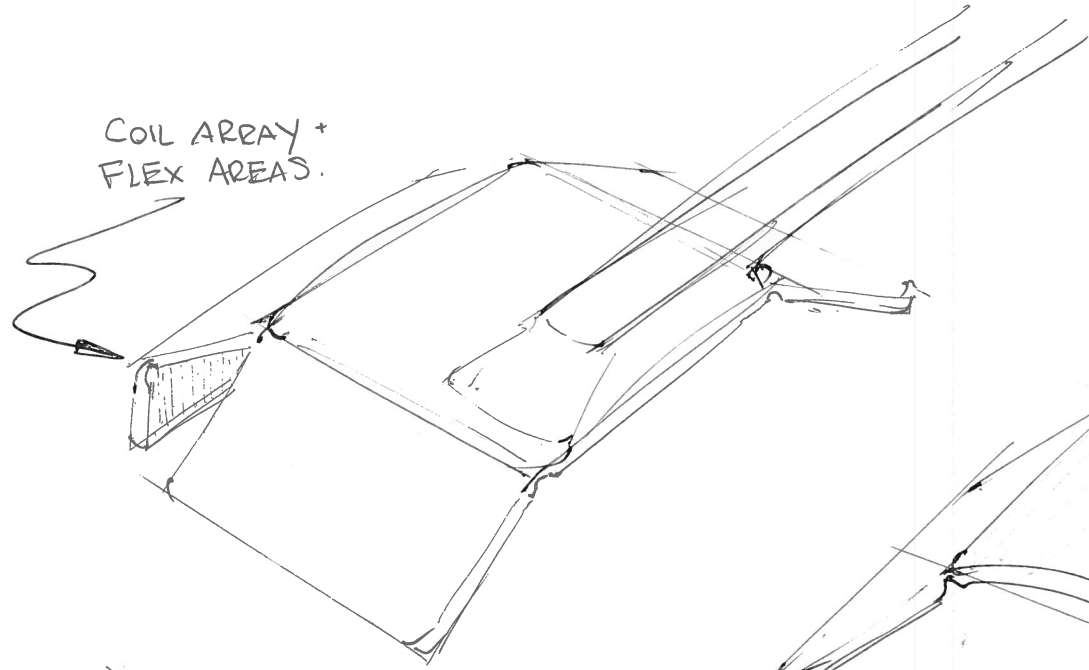
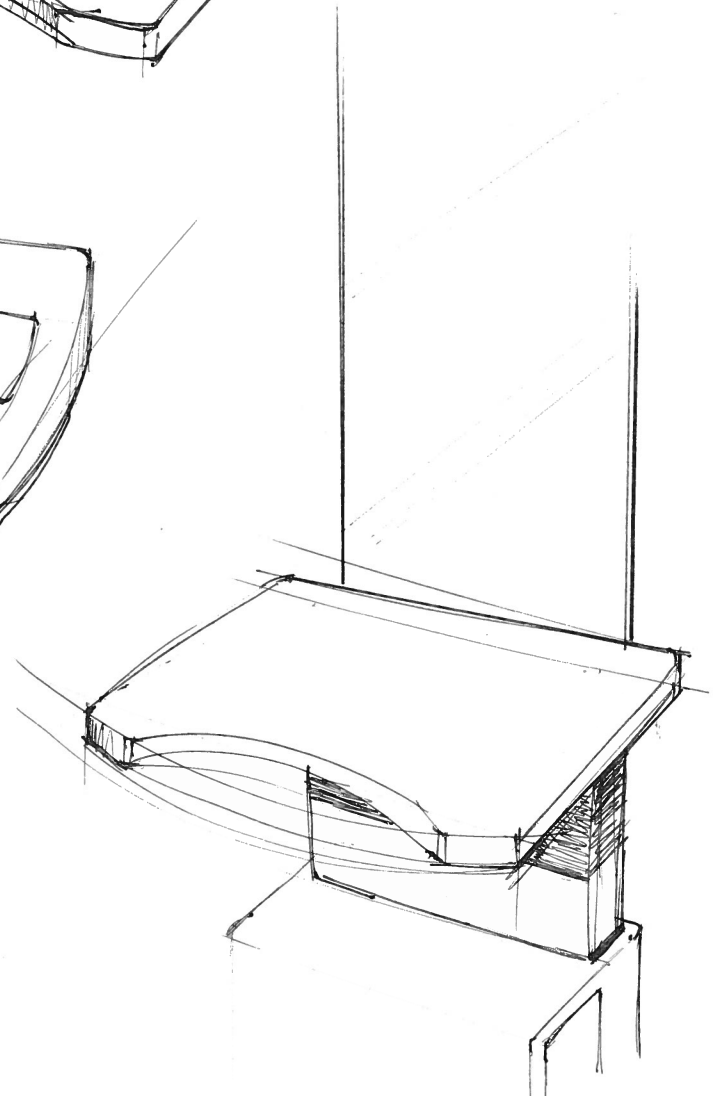
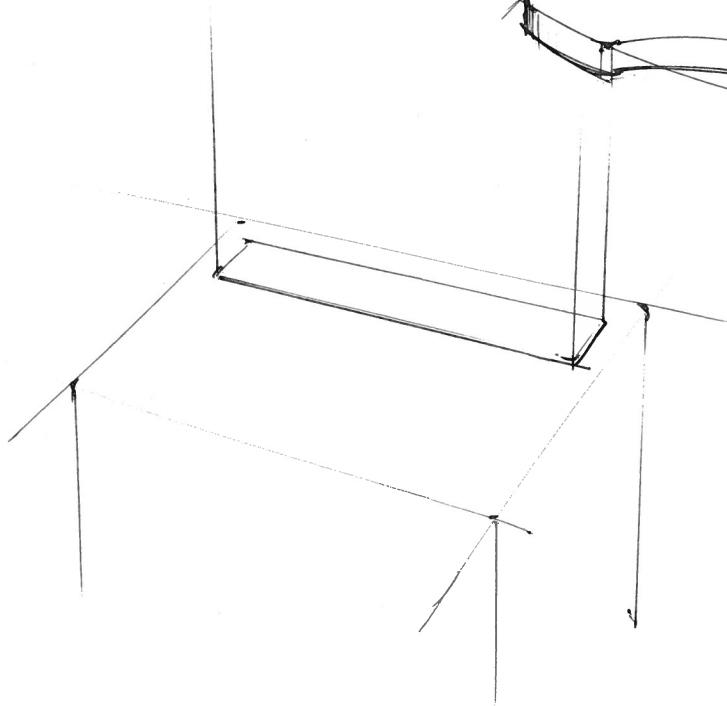
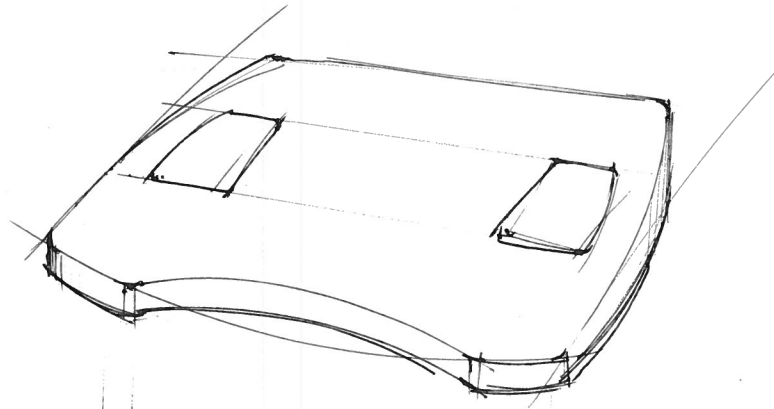
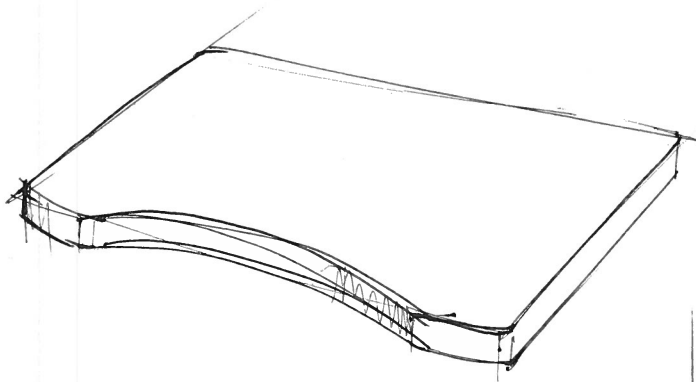
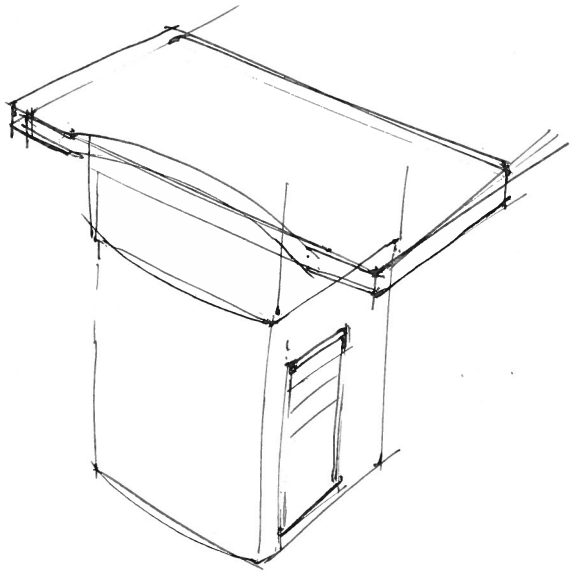


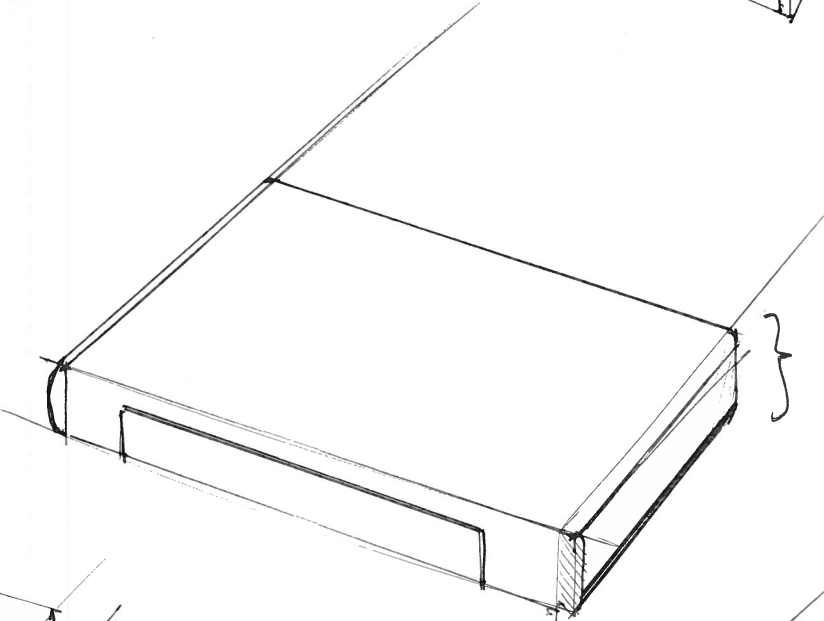
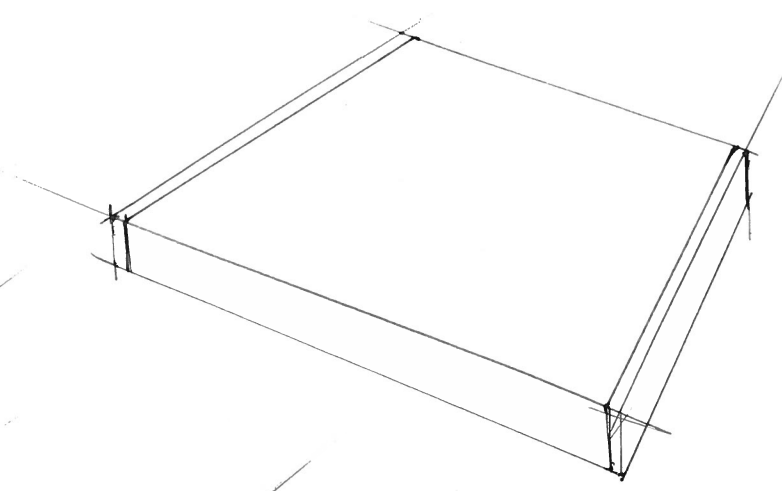
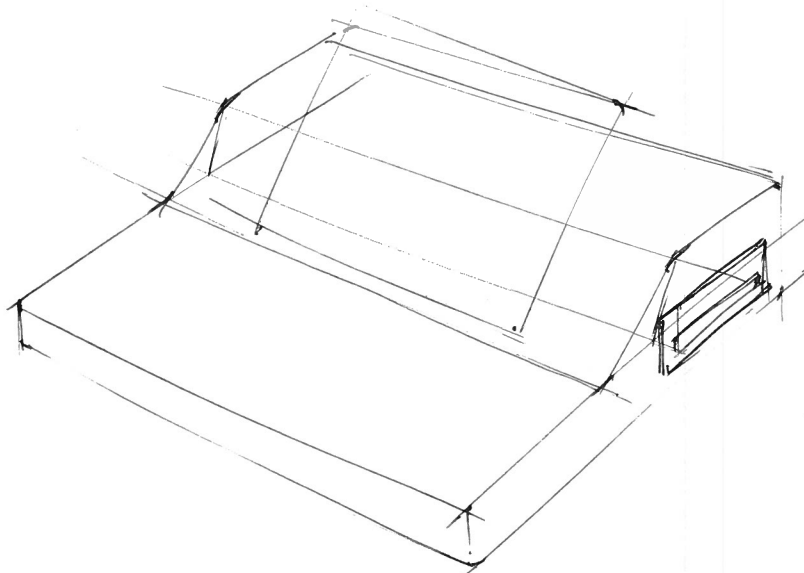
COIL ARRAY +
FLEX AREAS.



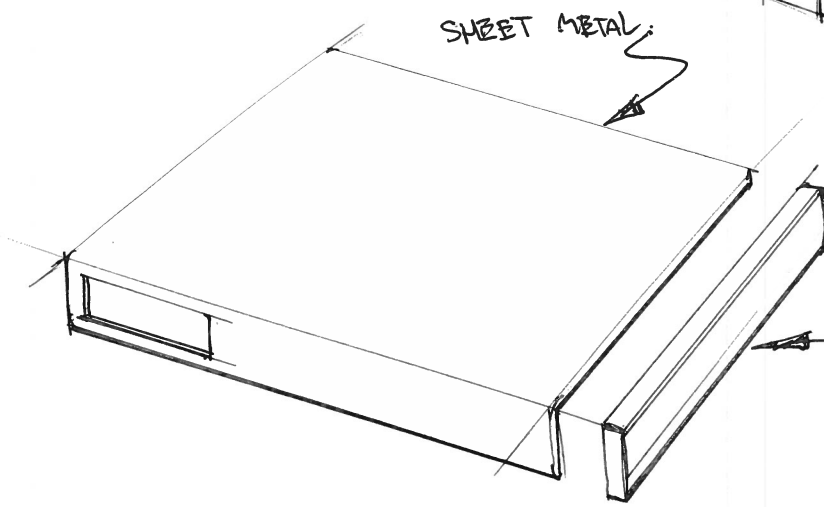
FLEX SPOT

? - MAKE ENCLOSURE CLEAR SO
BREAST CONTACT IS VISIBLE



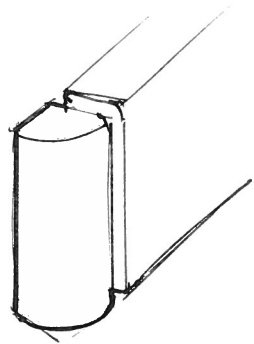


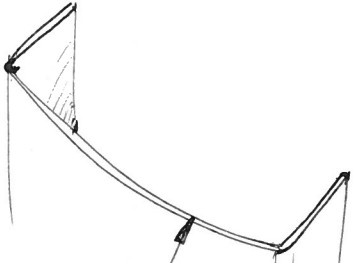
FAT COUNTER SURF.
APRX. 80 mm



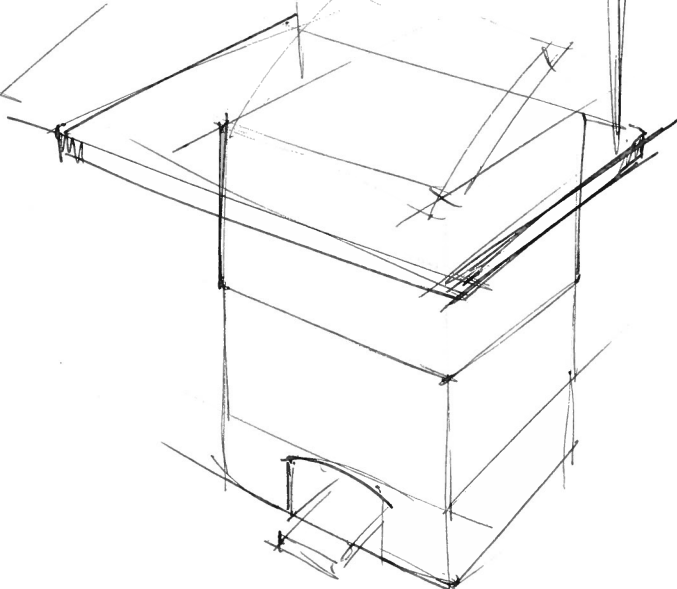
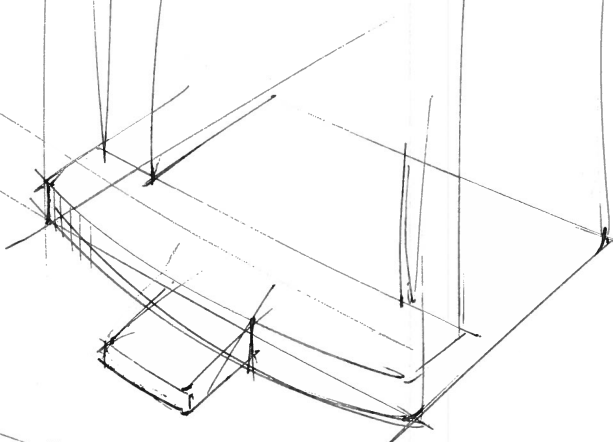
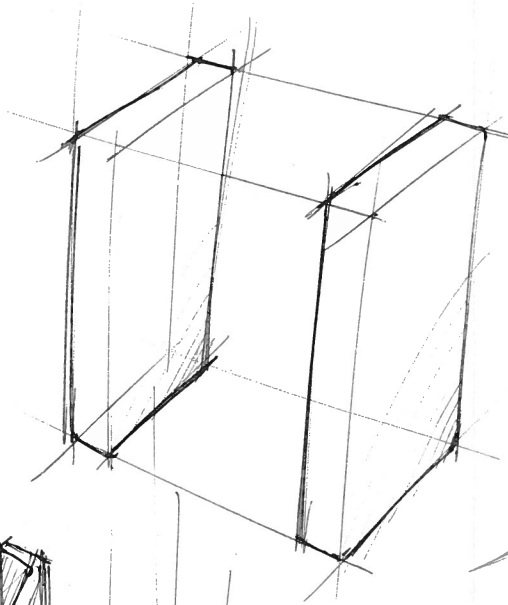
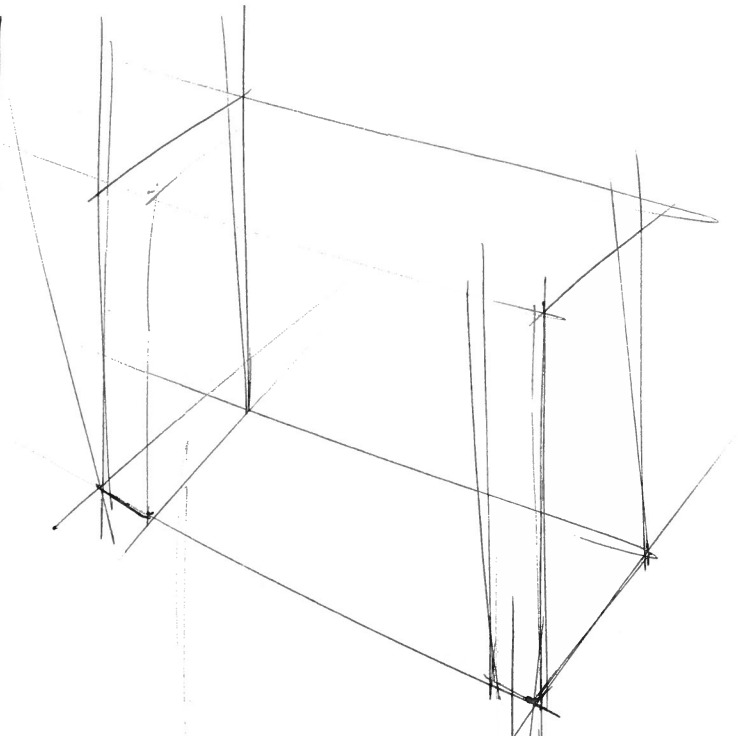
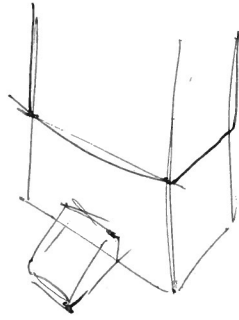
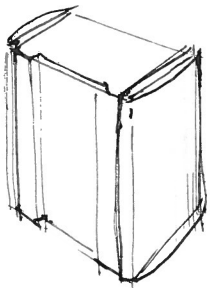
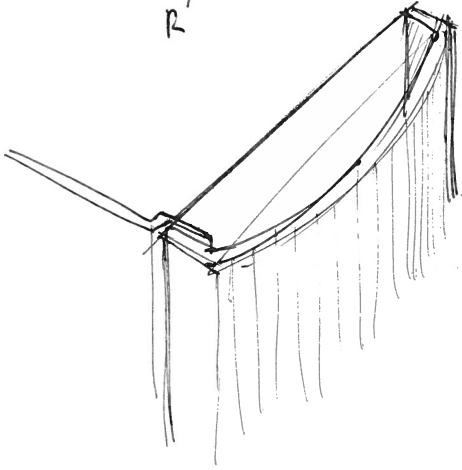
SHEET METAL

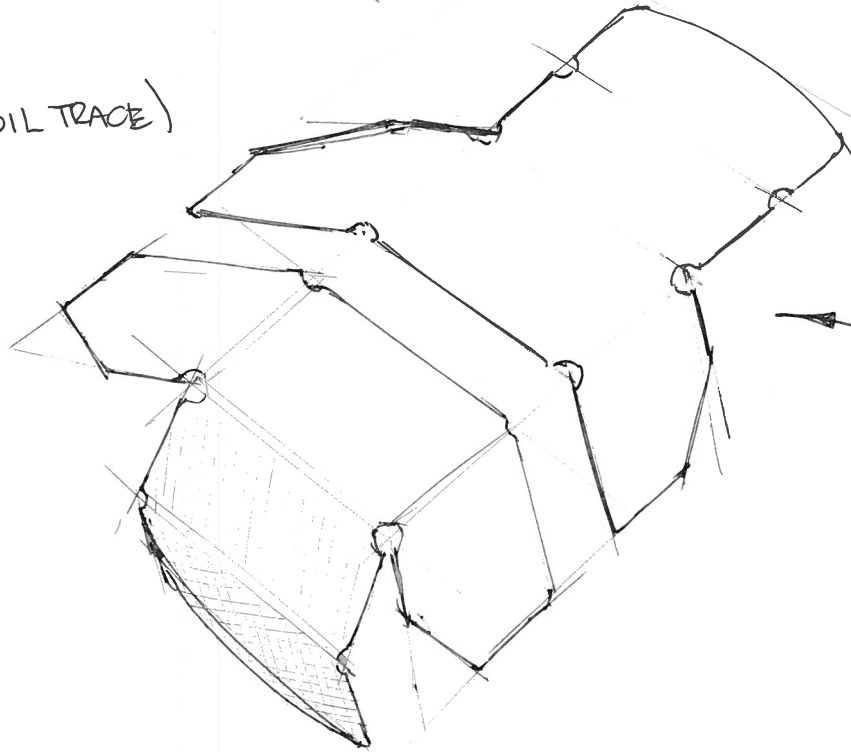
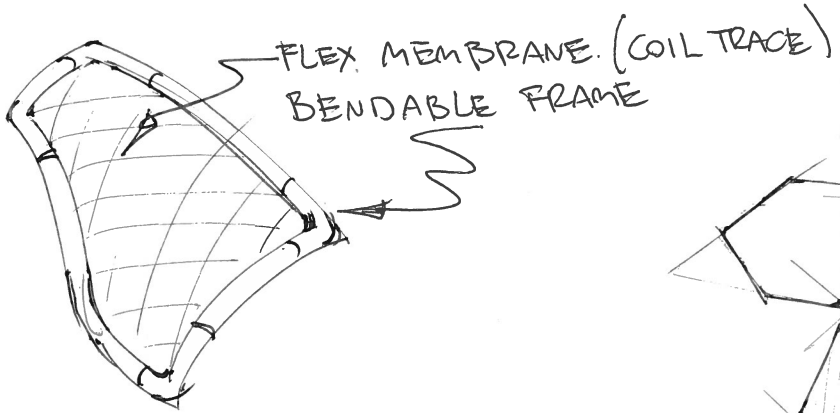
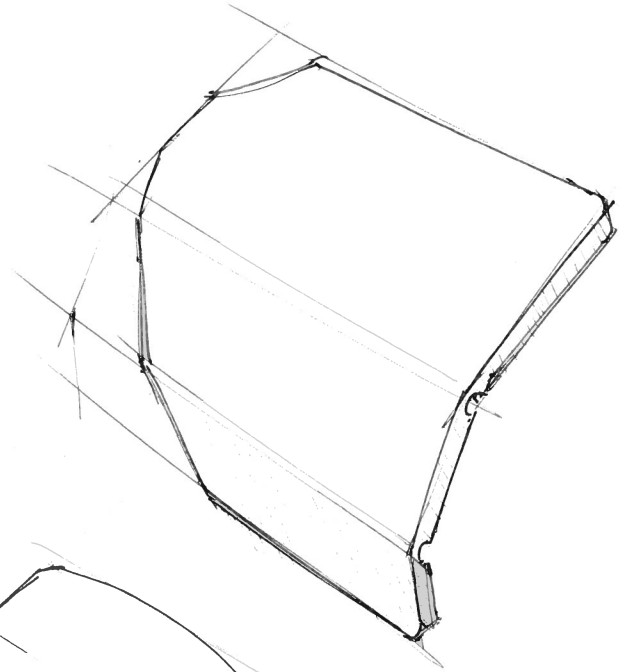
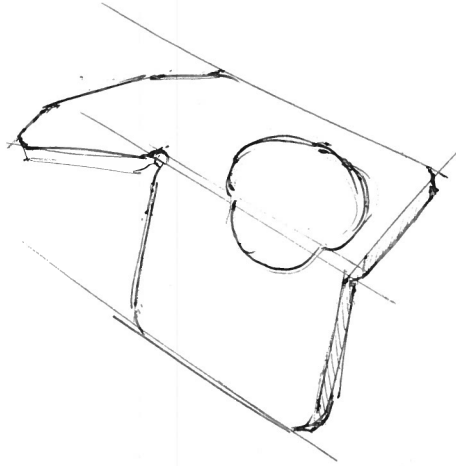
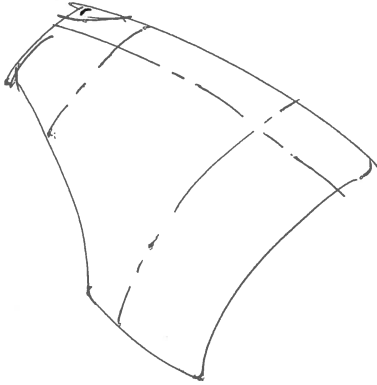
CUSTOM
EXTRUSION



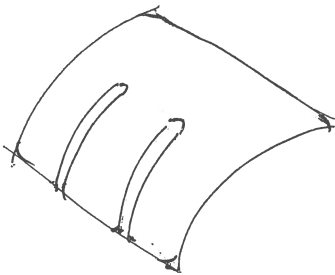


R





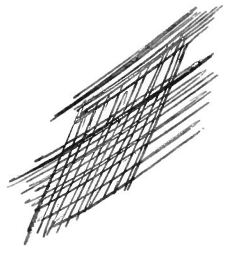
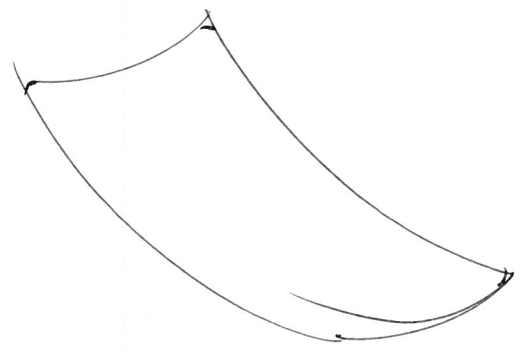
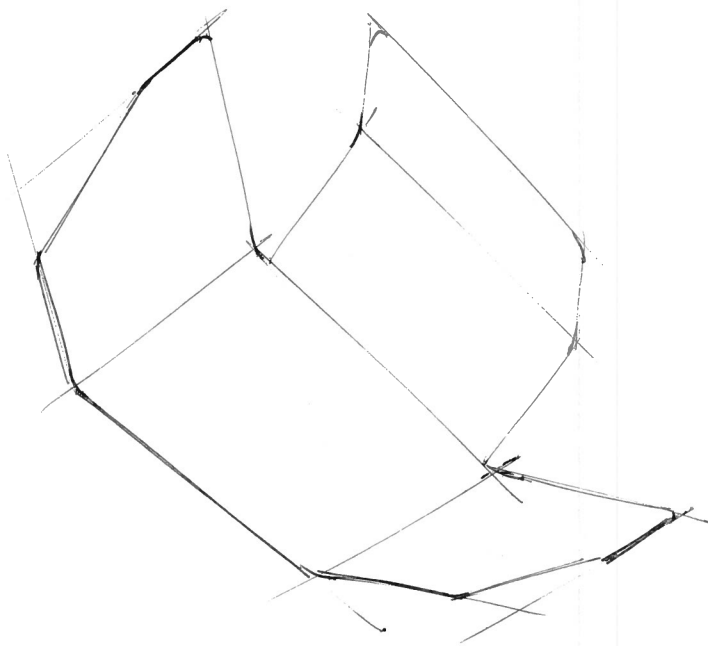
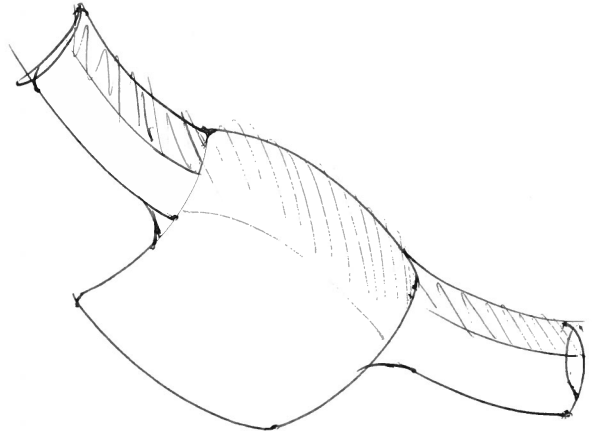
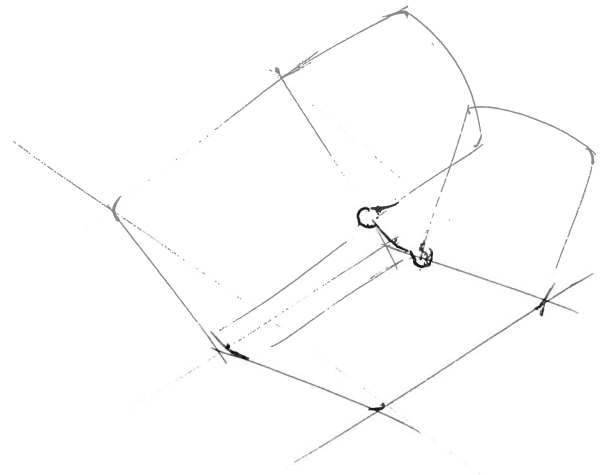
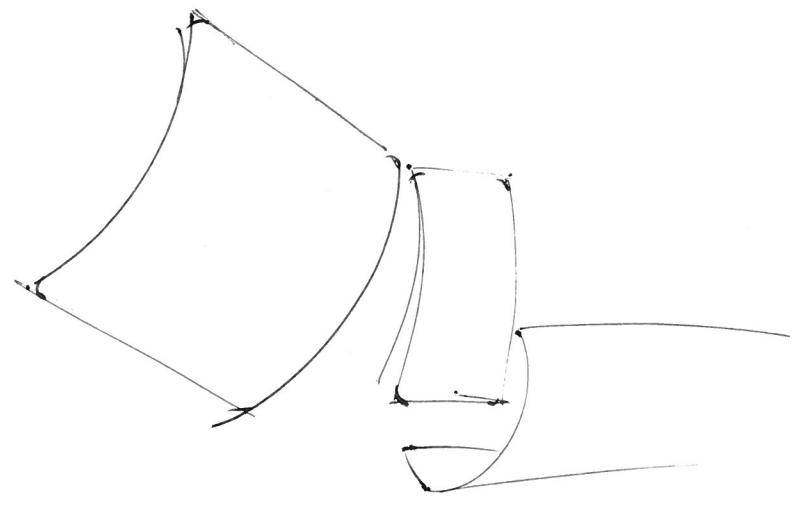
LEFT, RIGHT COIL
SAME / REVERSIBLE

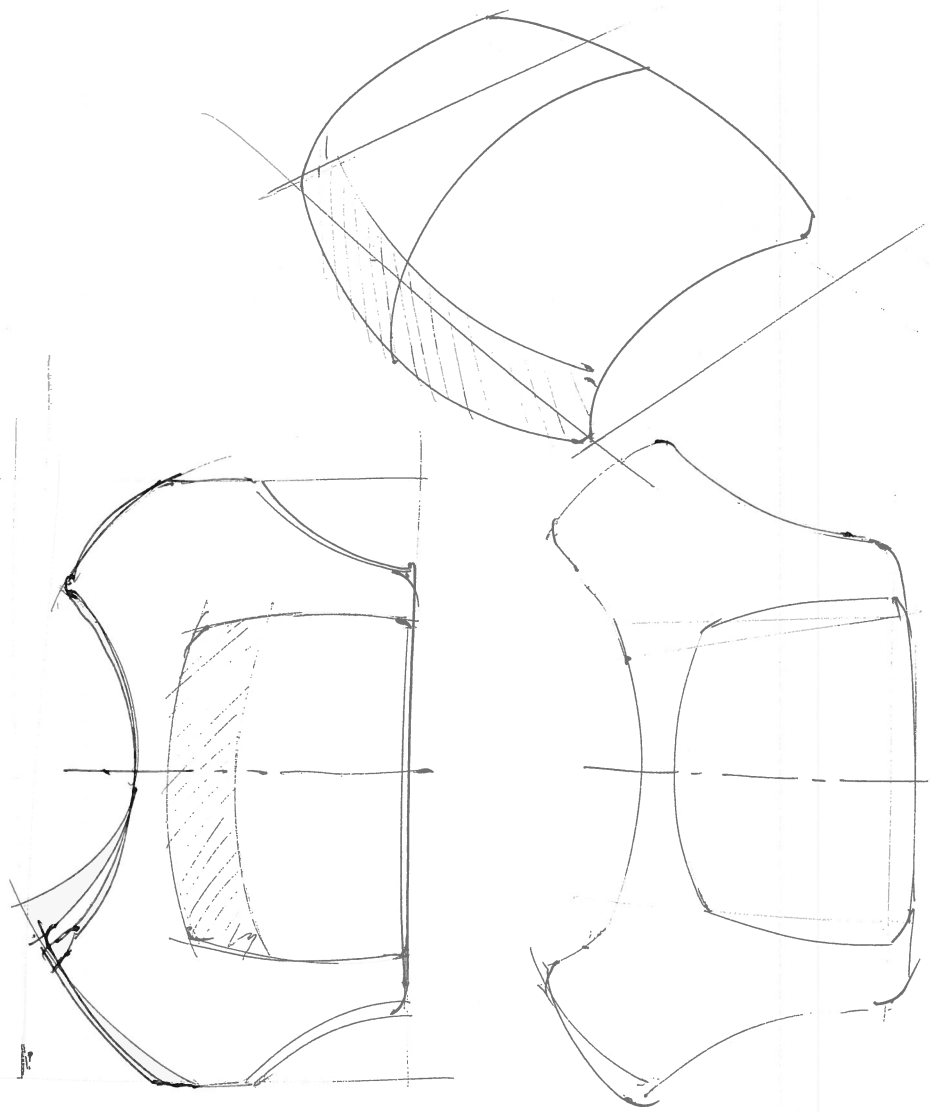
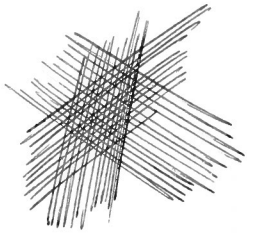


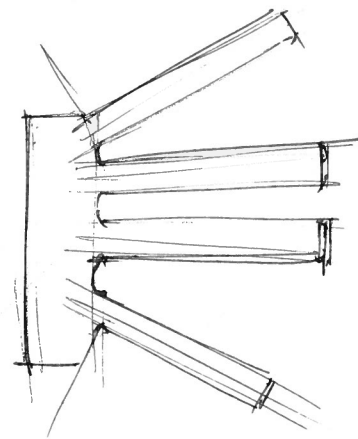
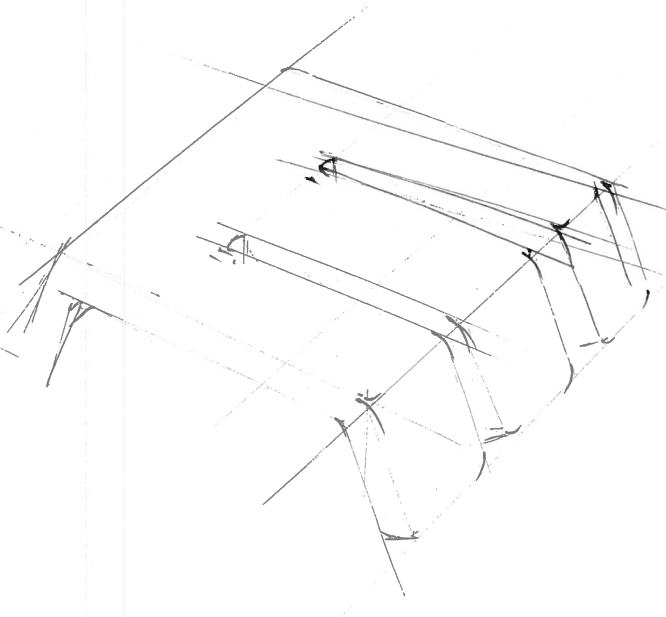
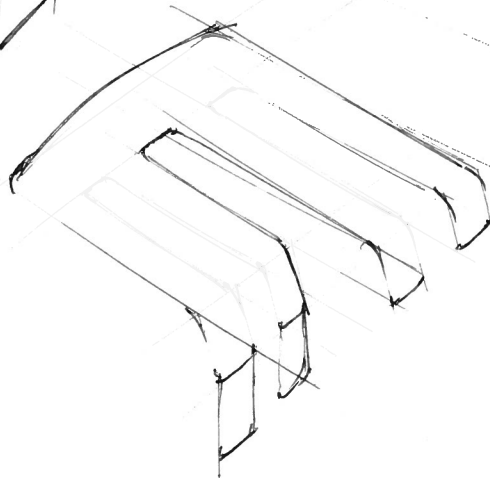
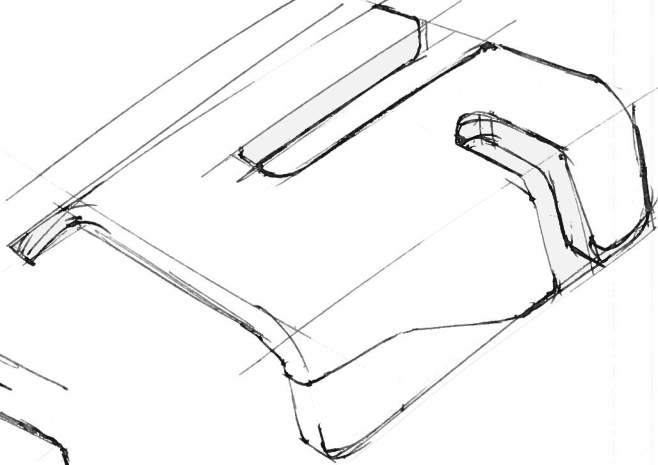
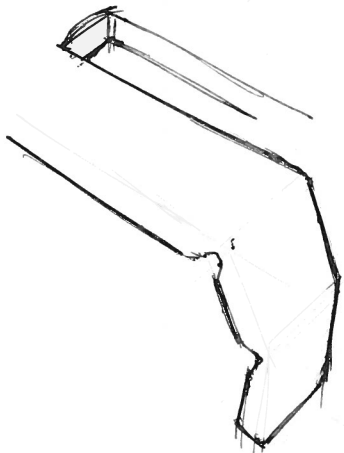
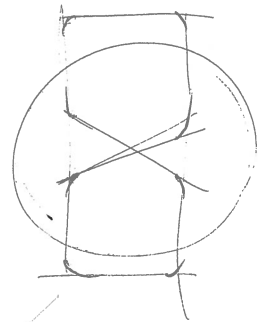
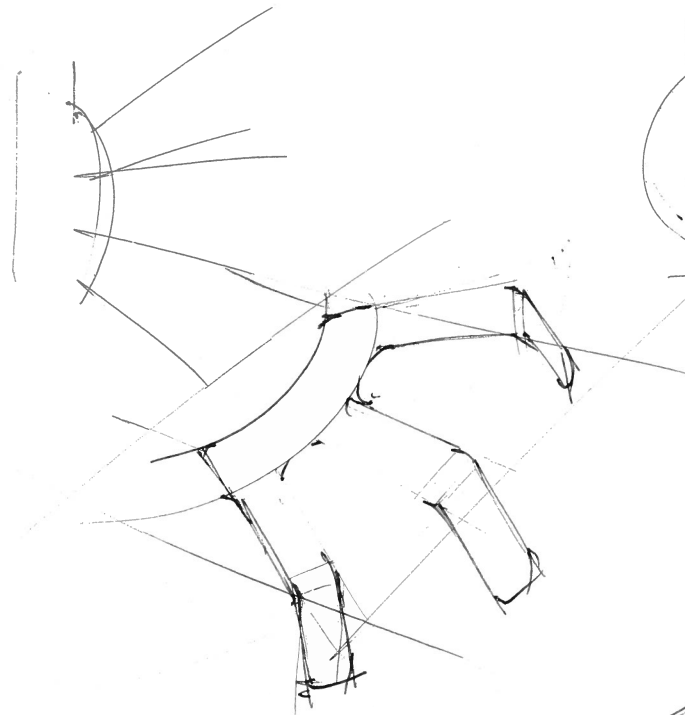
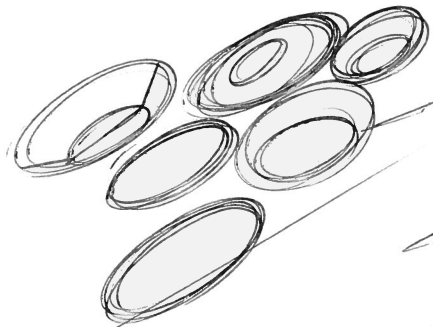
MAYBE ...

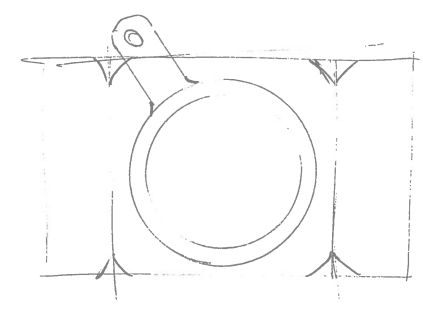
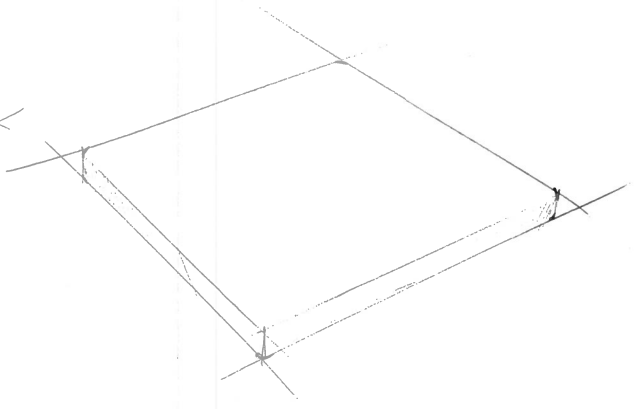
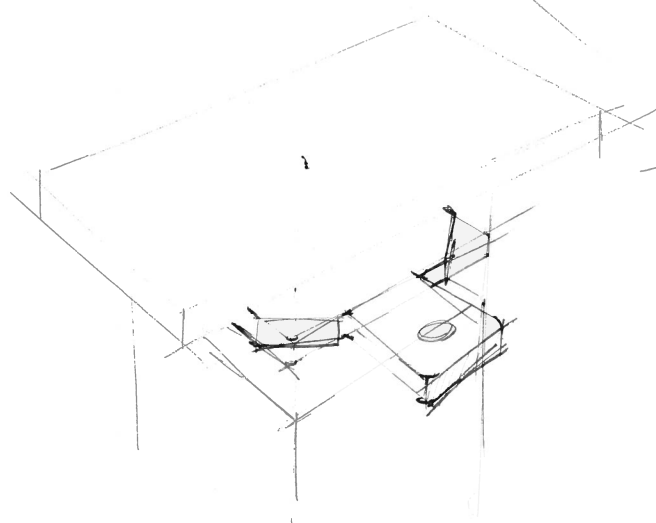
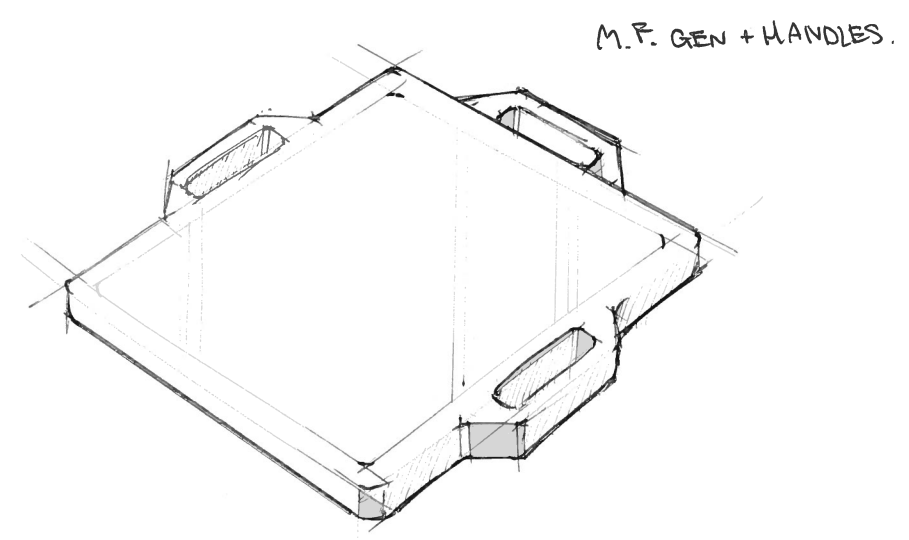
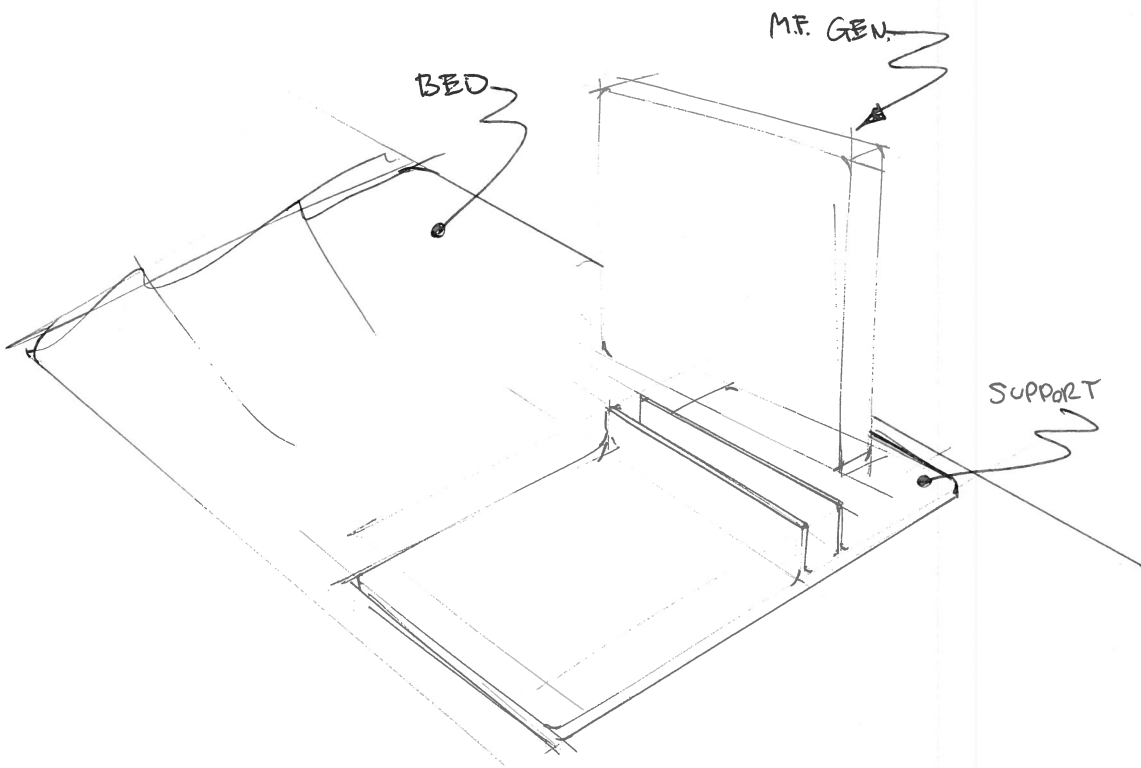
- MAKE ARM SYMMETRICAL TOO

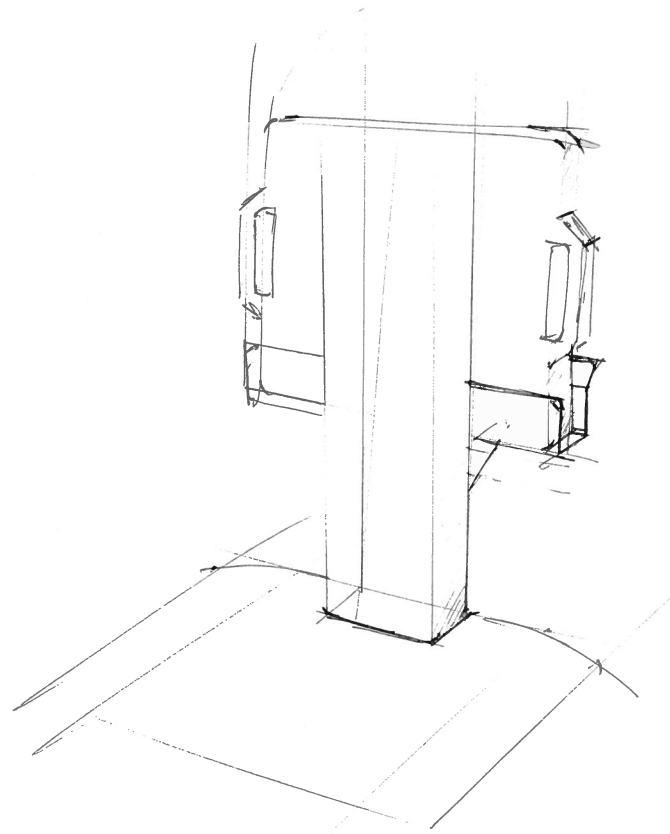
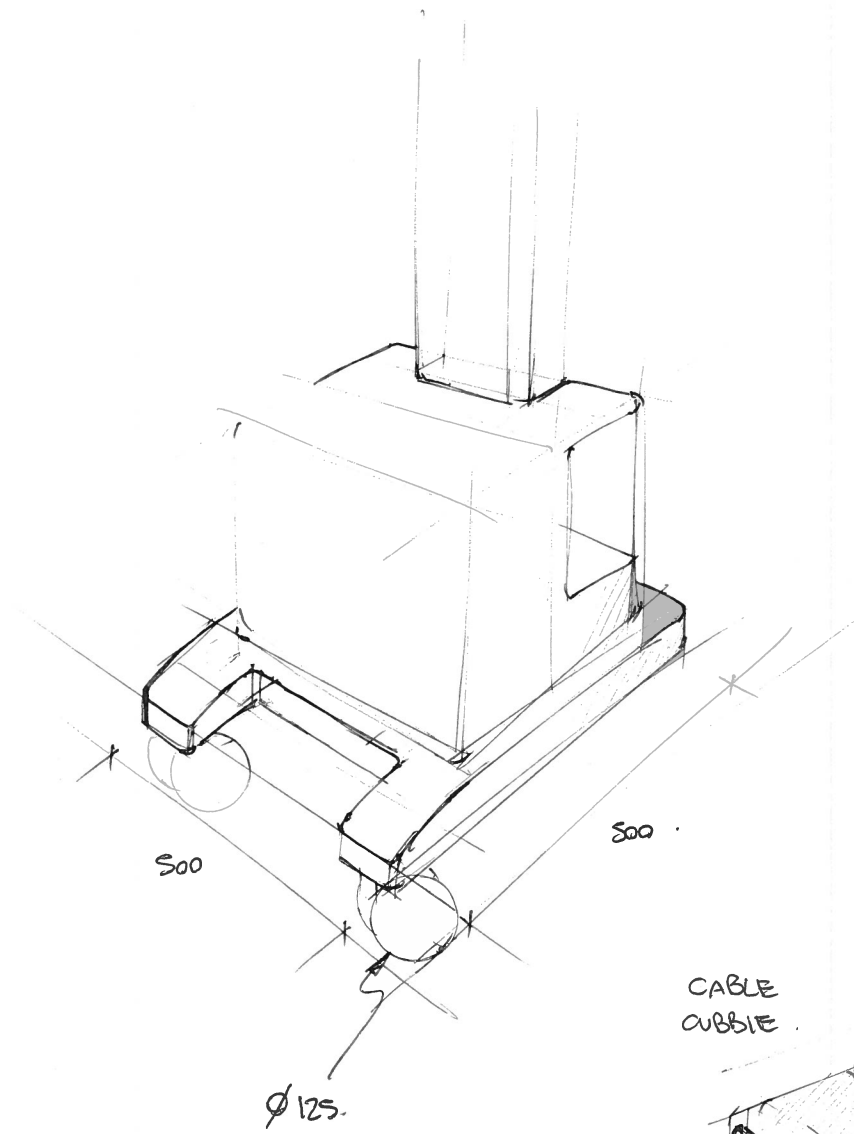
- OR SAME PART LEFT / RIGHT











CABLE
CUBBIE

