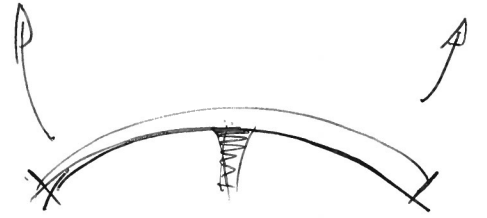
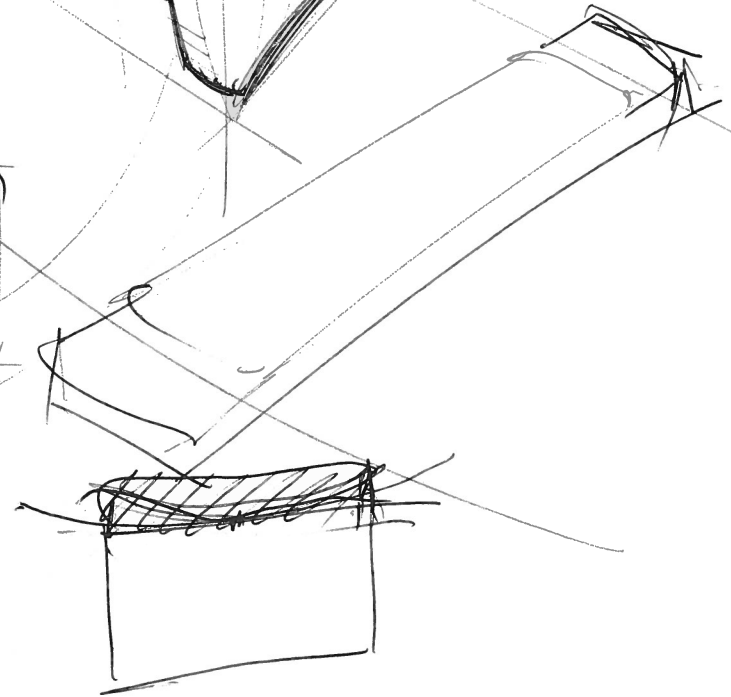
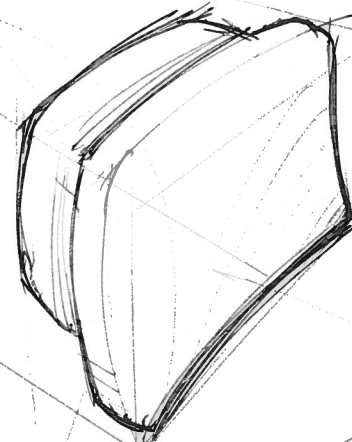
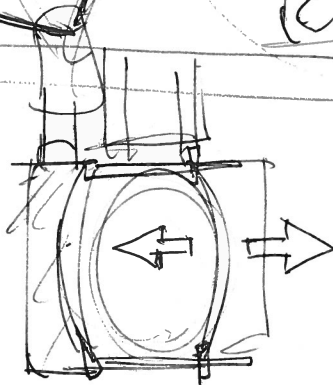
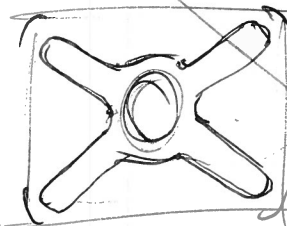
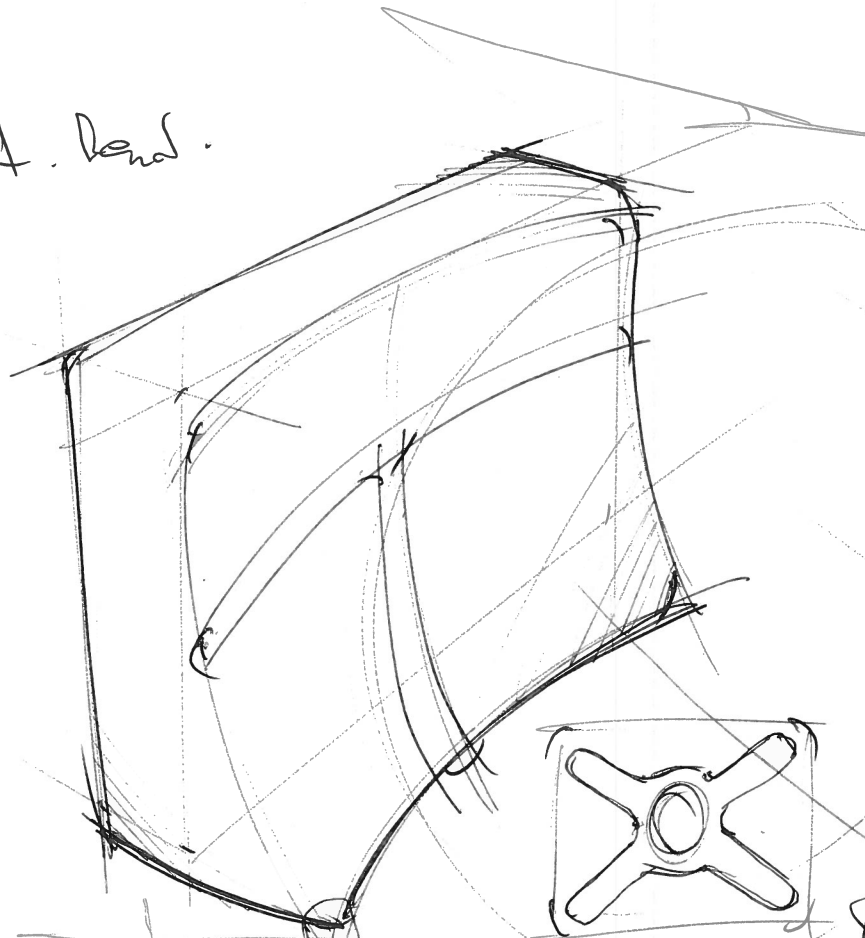
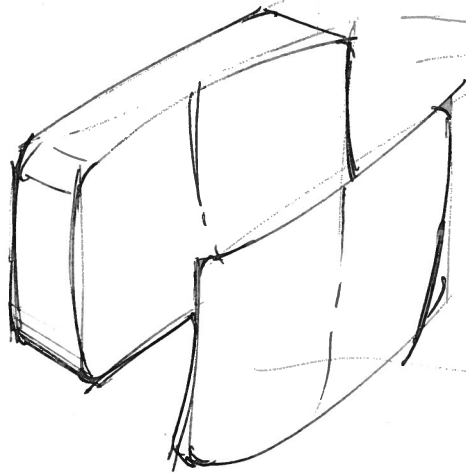
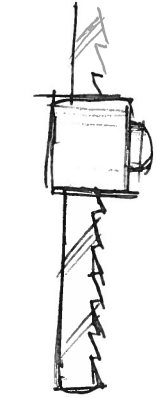
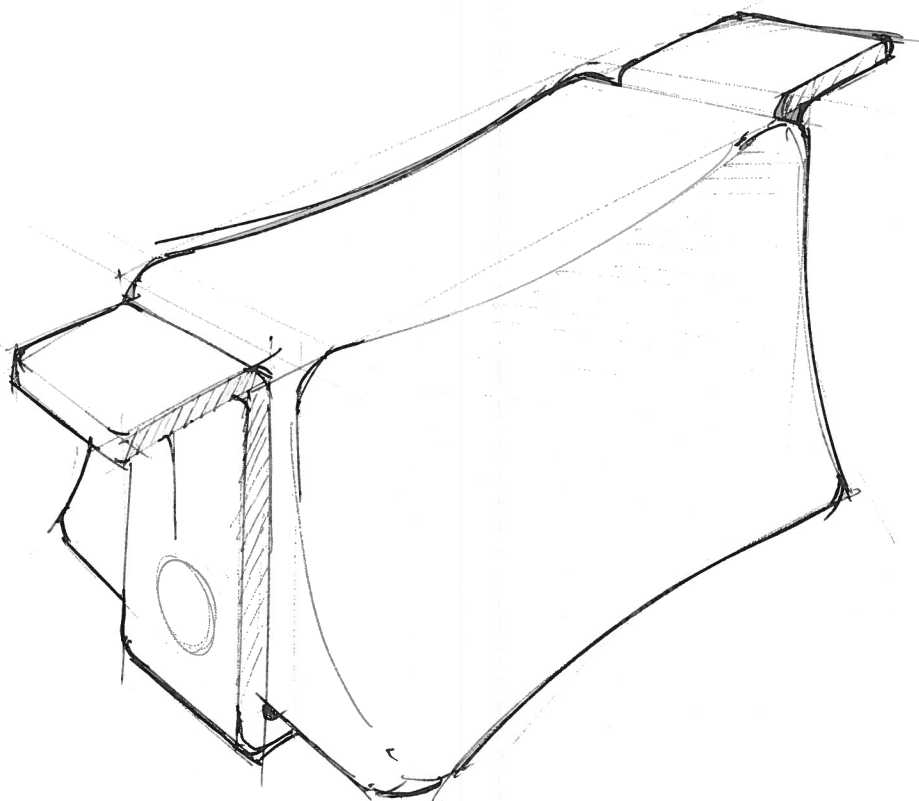
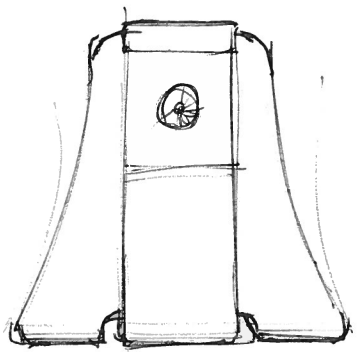
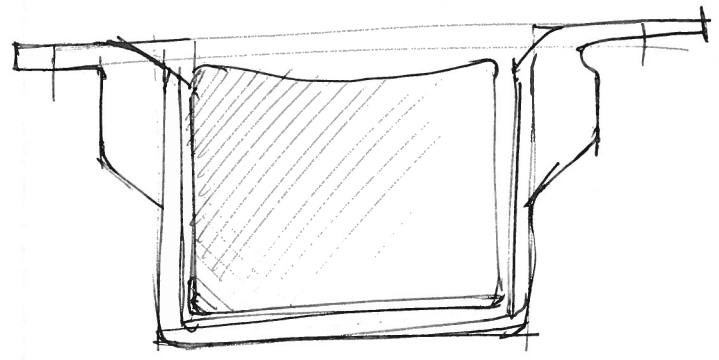
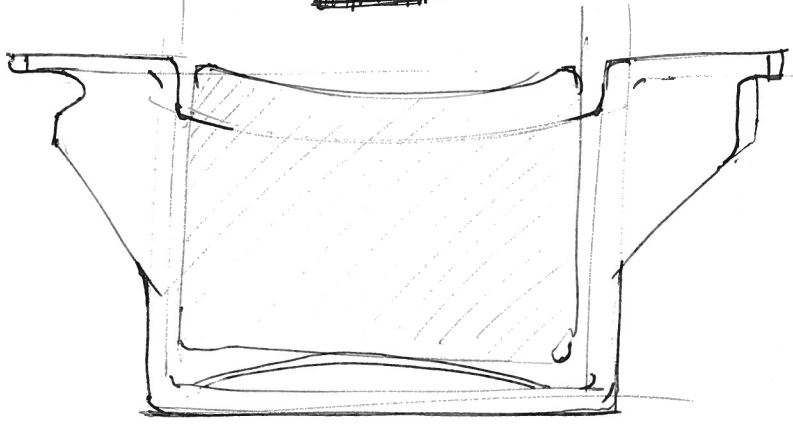


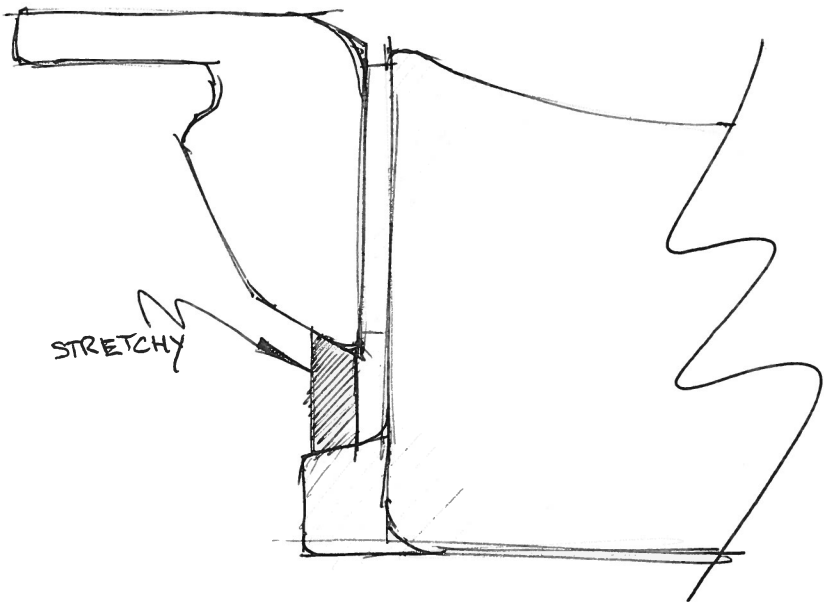
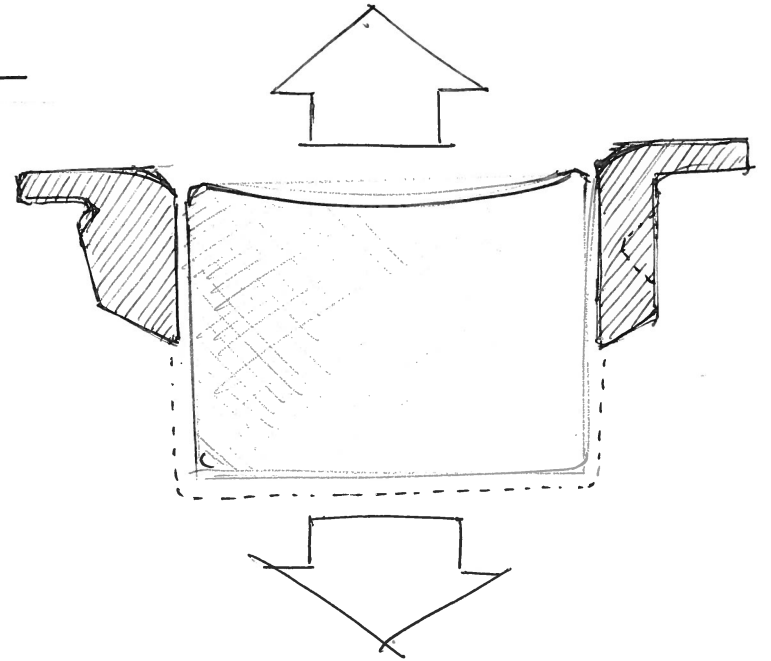
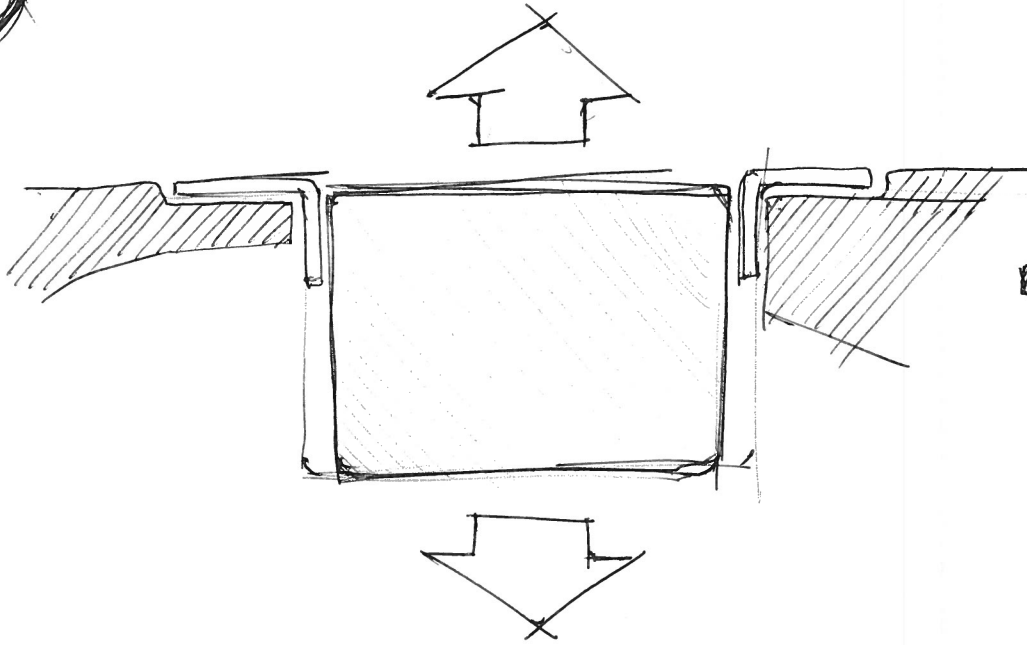
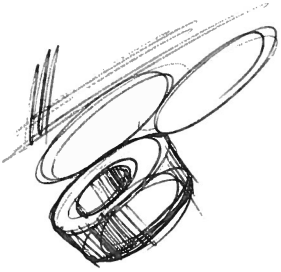
- baskets . 

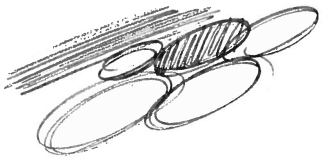
- metal support. bend.



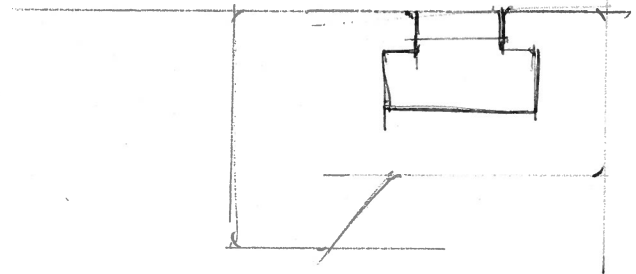
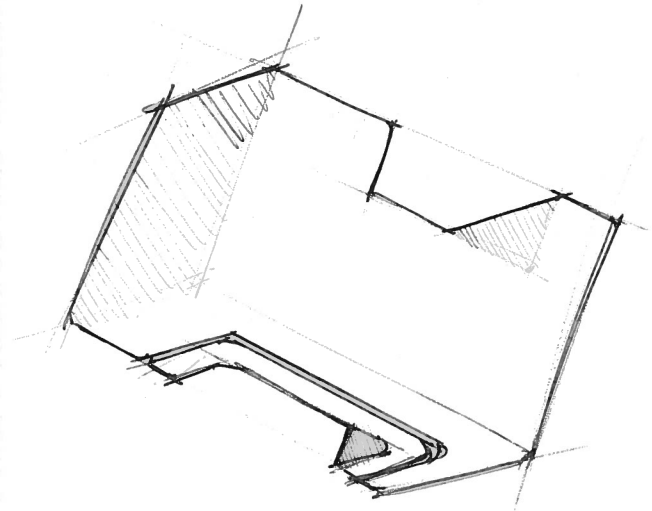
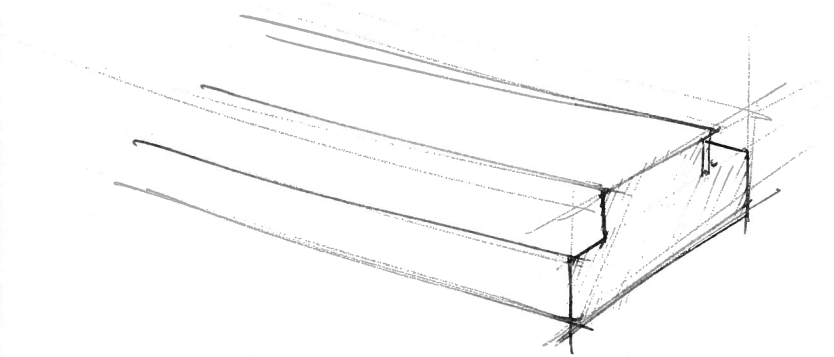
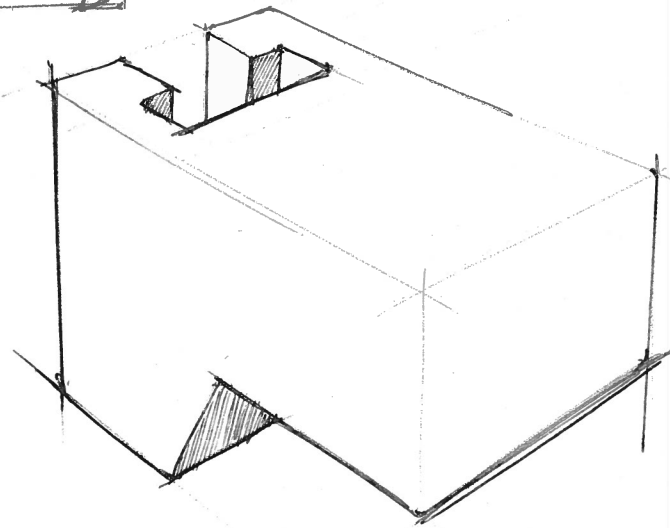
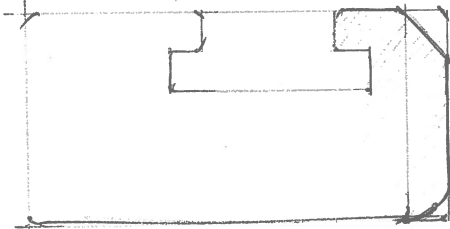
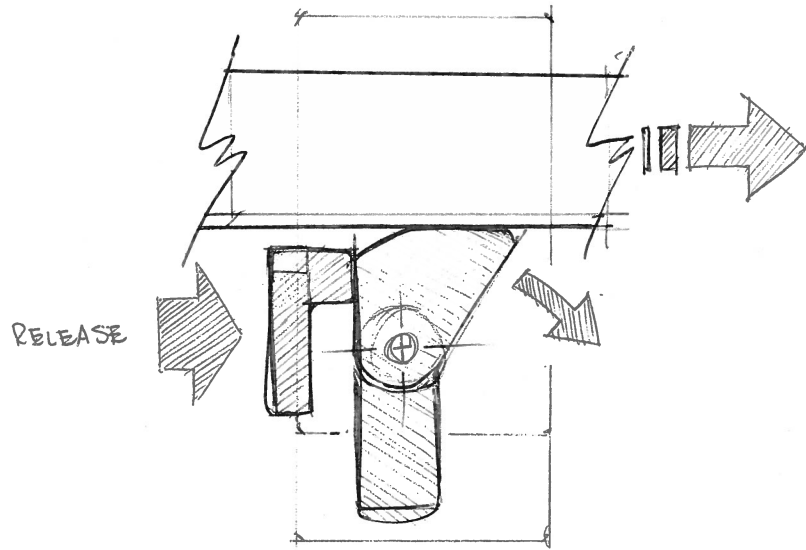
Handwritten scribbles in the top left corner.

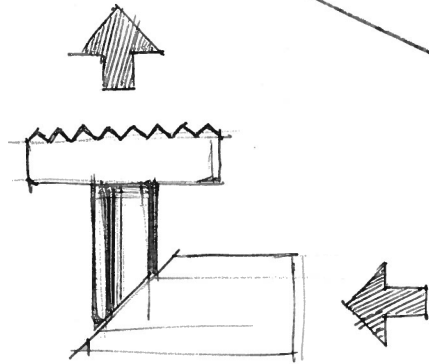
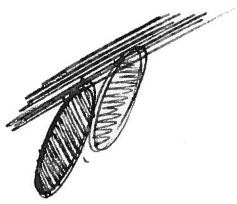




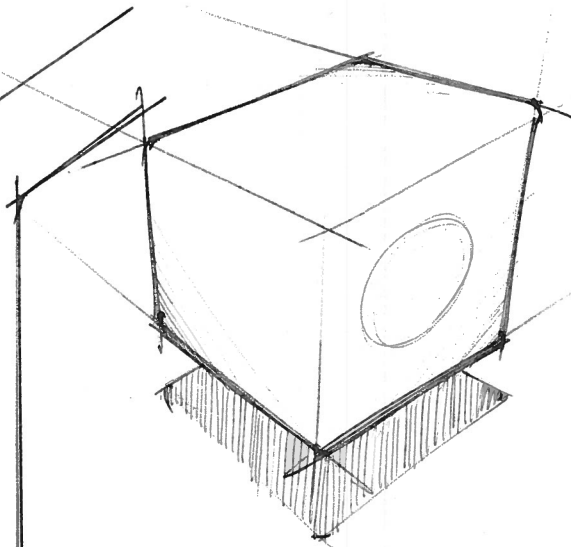
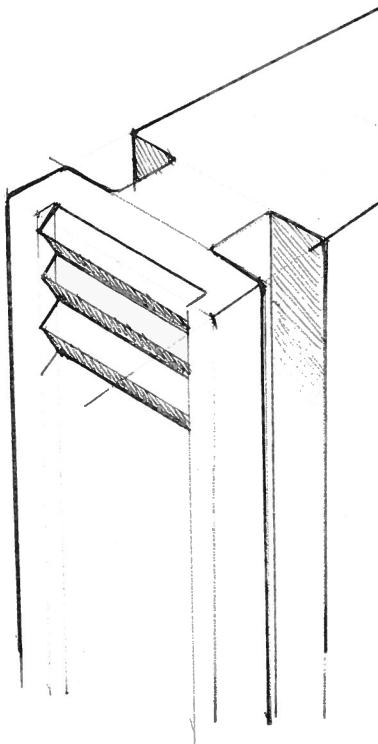


ONE WAY SLIDER.

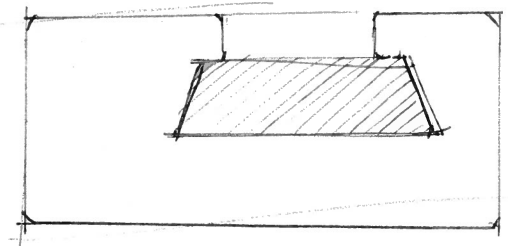
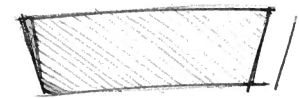
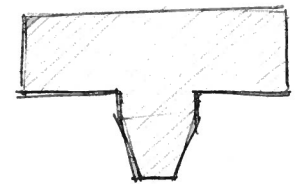
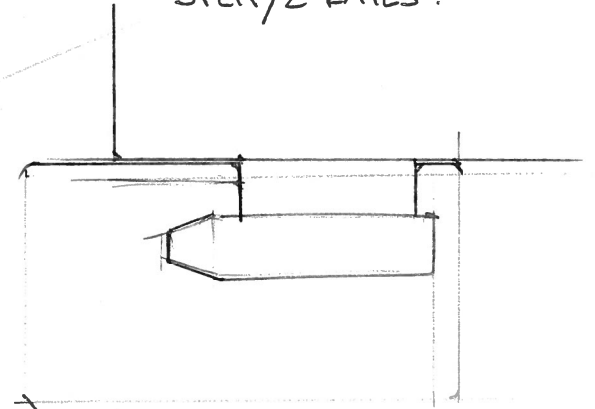


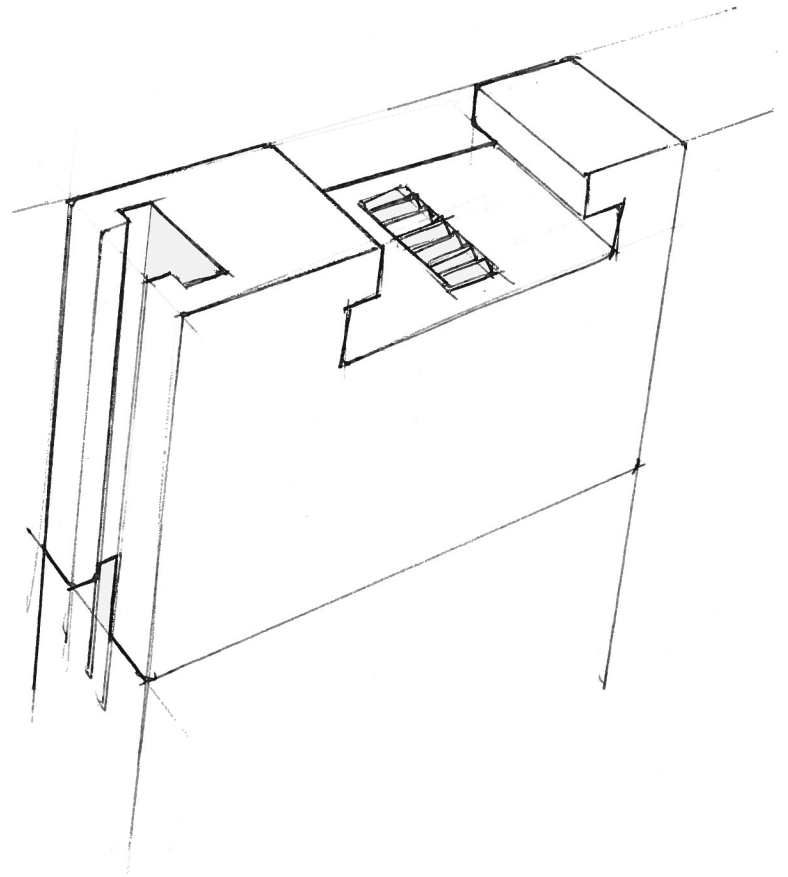
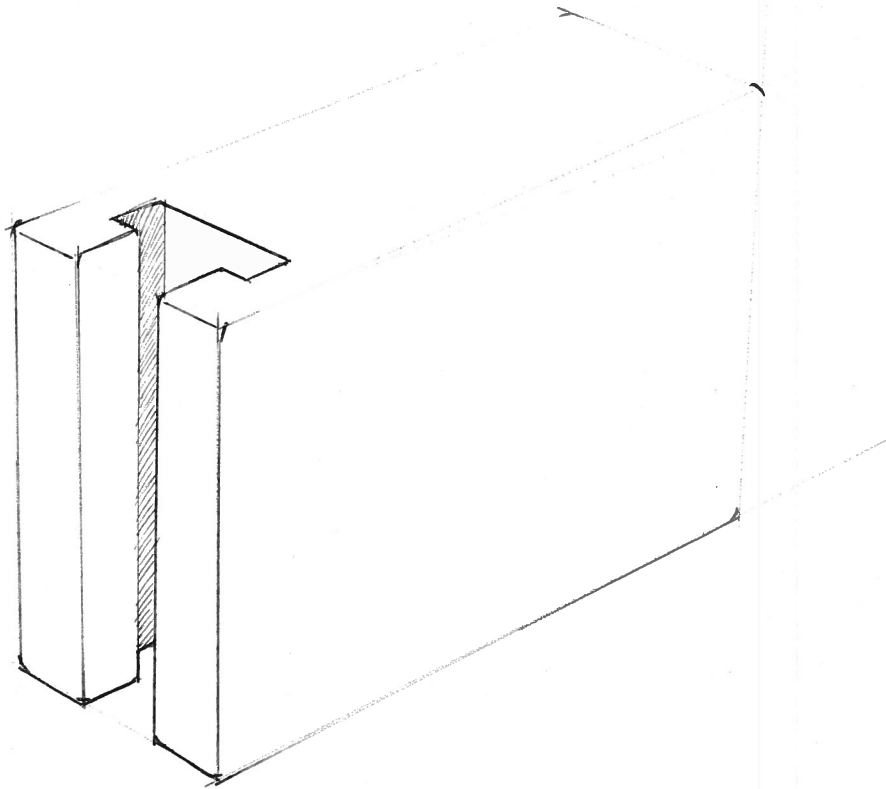
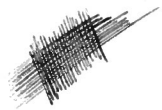


②

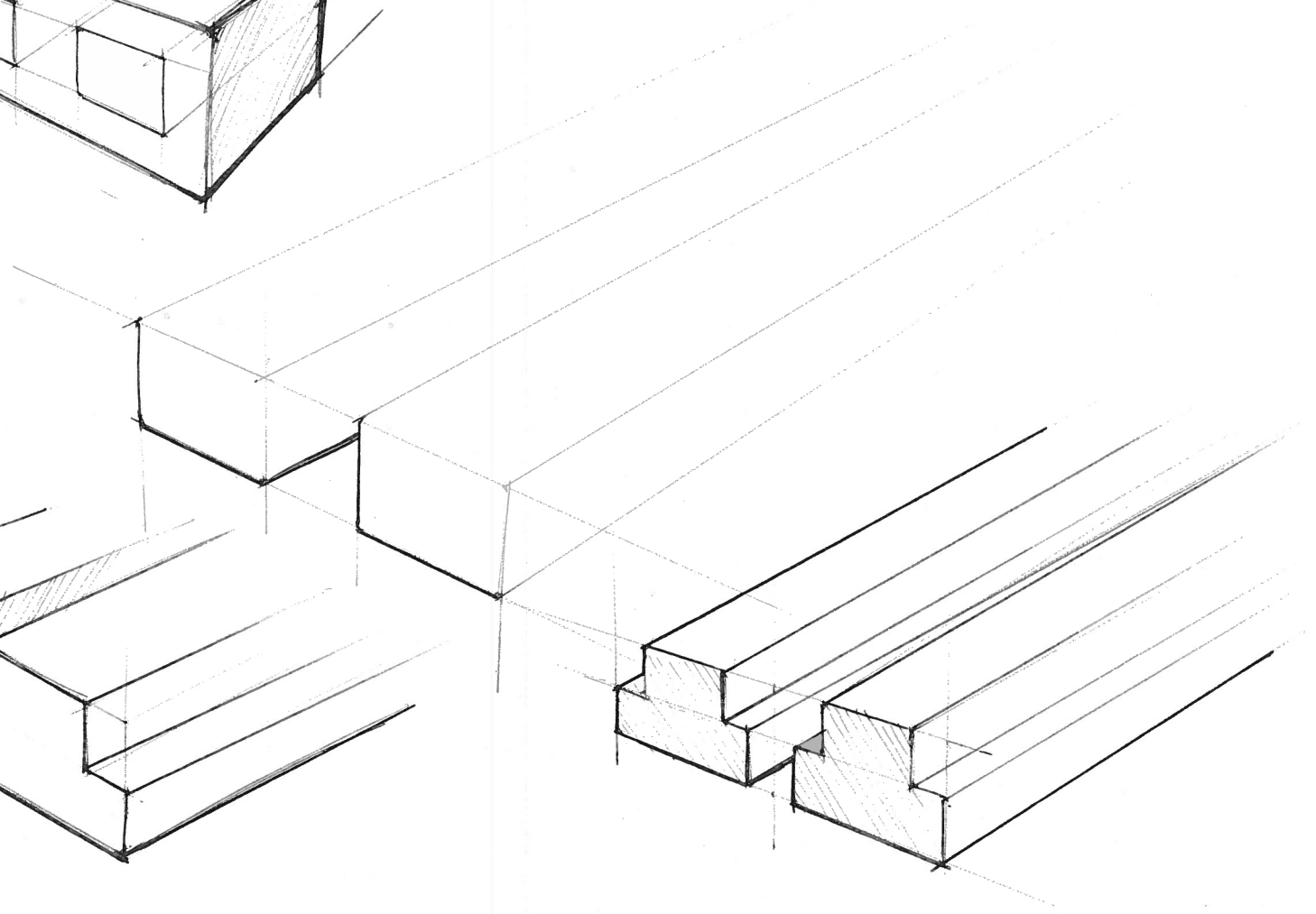
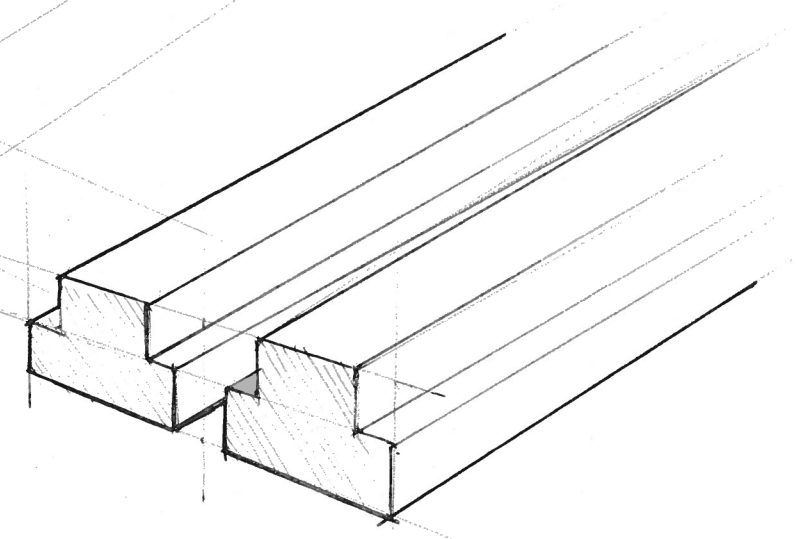
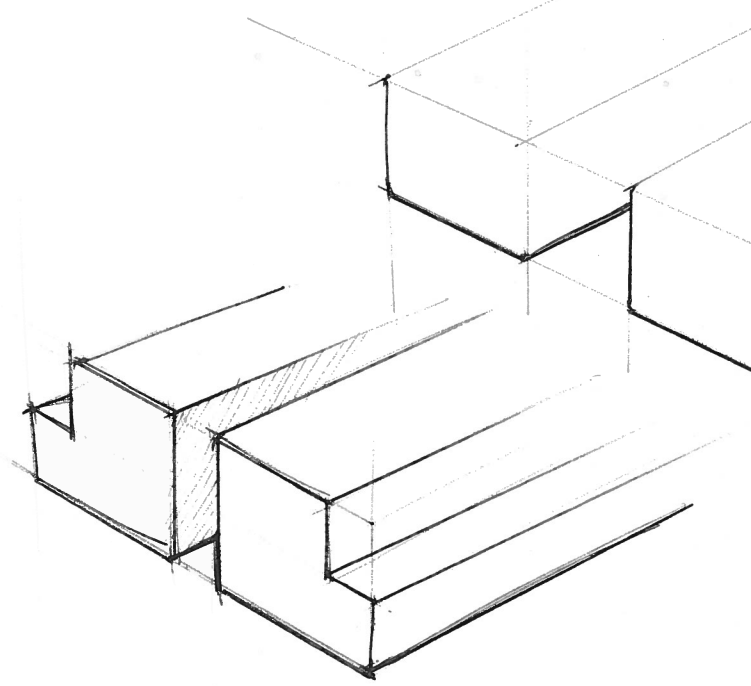
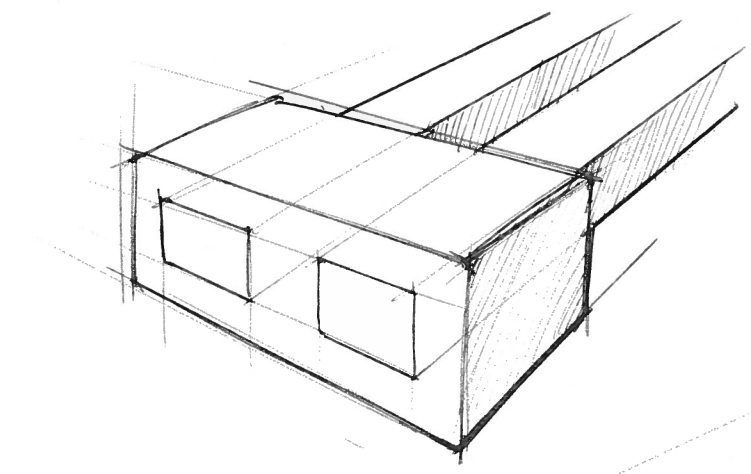


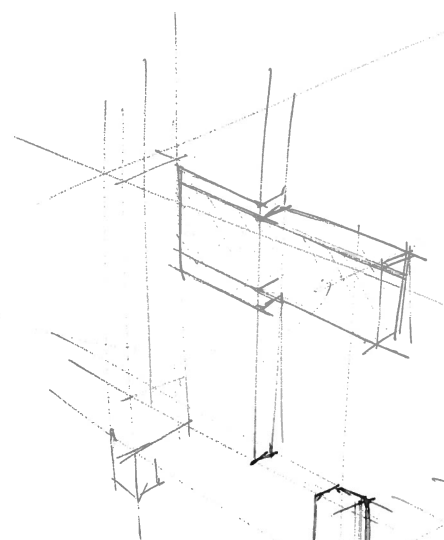
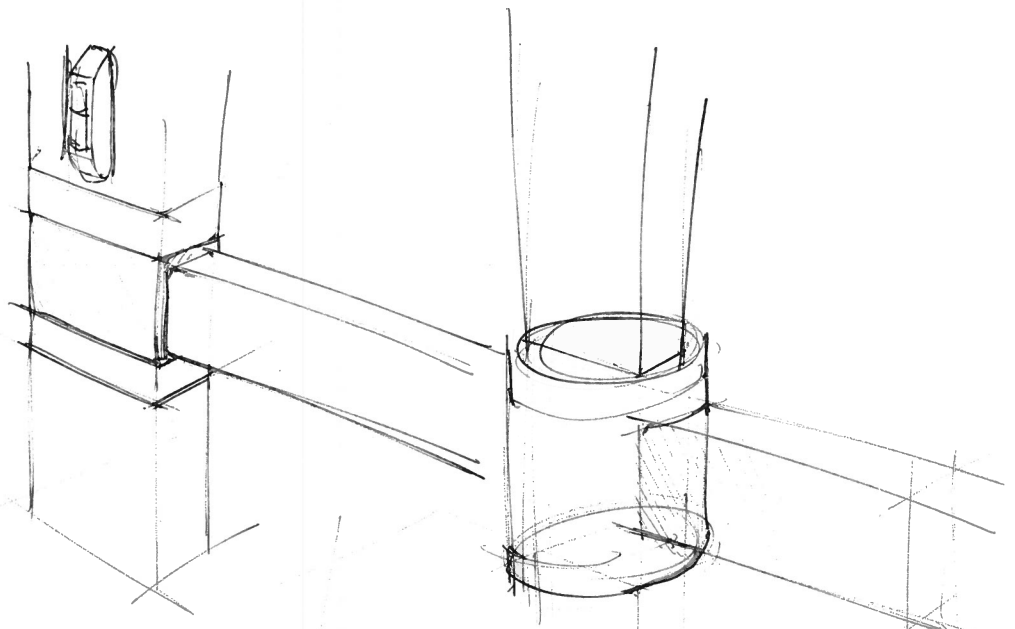
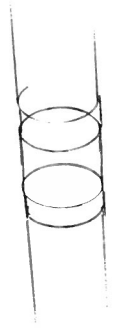
- ONEWAY SLIDER
- RAIL WITH TEETH . ①
- PUSH-BUTTON LOCK .
- THREAD (LIKE ON PROJECTOR) .
- SCREW LOCKS .
- FLEX CABLES : (BIKE)
- SPLIT / 2 RAILS .



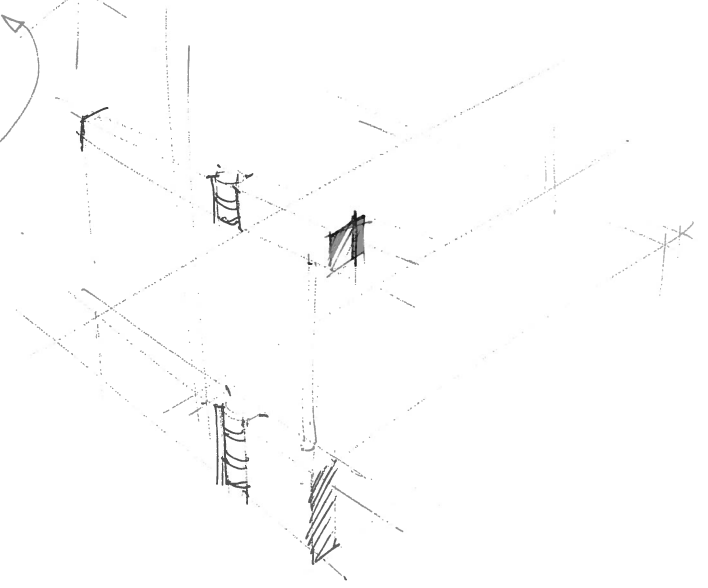
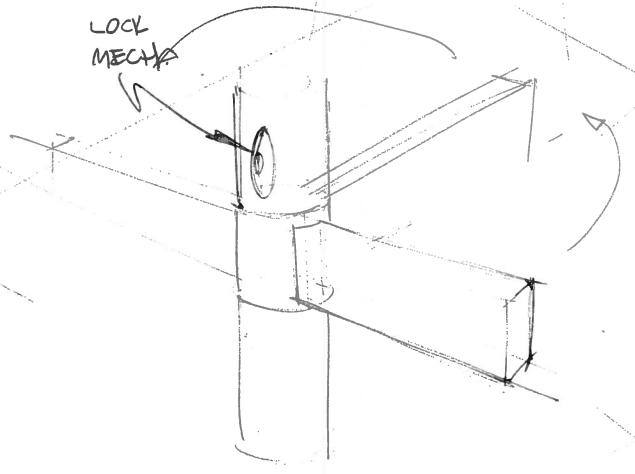


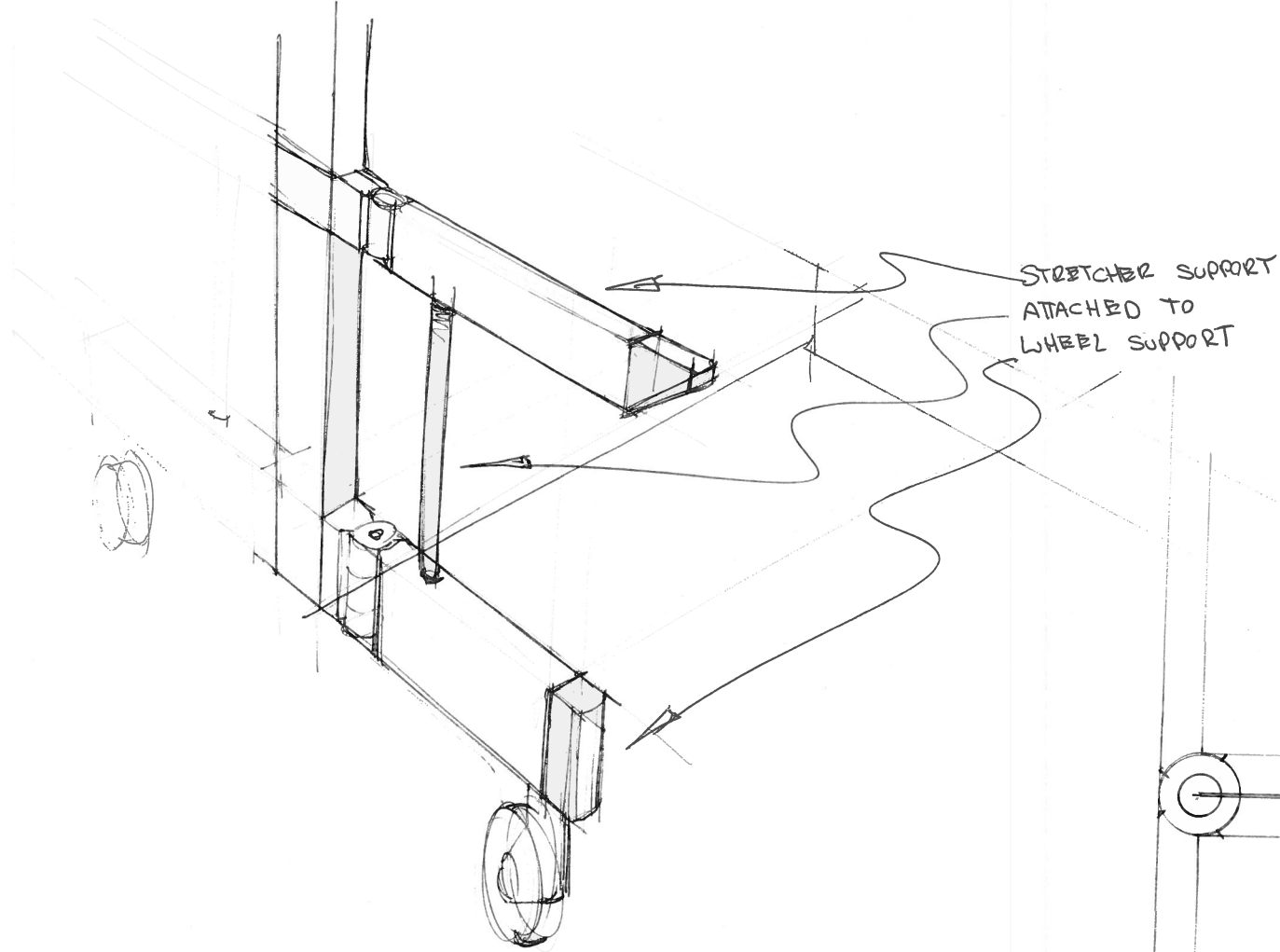
098





LOCK
MECHA





STRETCHER SUPPORT
ATTACHED TO
WHEEL SUPPORT

